

PROJECT	
TYPE	
SPECIFIER	
QUANTITY	
DATE	

LUMIX SURFACE

E15F021- -

base number Color Beam Angle
 Temperature Options

- To build a product code in our configurator select the specify button on the base model # product page
- To build a manual product code on this datasheet choose from the options listed below in blue font and add the suffix to the base model #

GENERAL

Series: LumiX
 Partner: Diamante
 Division: Exterior
 Installation: Surface
 Product Type: Flood
 Mounting Location: Above Ground
 Light Distribution: Adjustable / Direct

PHYSICAL

Shape: Rectangle
 Length (mm): 244
 Length (in): 9 ⁵/₈
 Width (mm): 82
 Width (in): 3 ¹/₄
 Height (mm): 272
 Height (in): 10 ¹¹/₁₆
 Weight (kg): 3
 Diffuser: Extra-Clear Tempered Sodium-Calcium Glass
 Fixture Finish: ANB
 Fixture Material: Aluminum Alloy

ELECTRICAL

Lamp Type: LED
 Input Wattage (W): 50
 Dimming: Non-Dimmable
 Driver Included: Yes
 Driver Location: Integrated
 Driver Class: Class 2
 Input Voltage (V): 120 - 277

LED

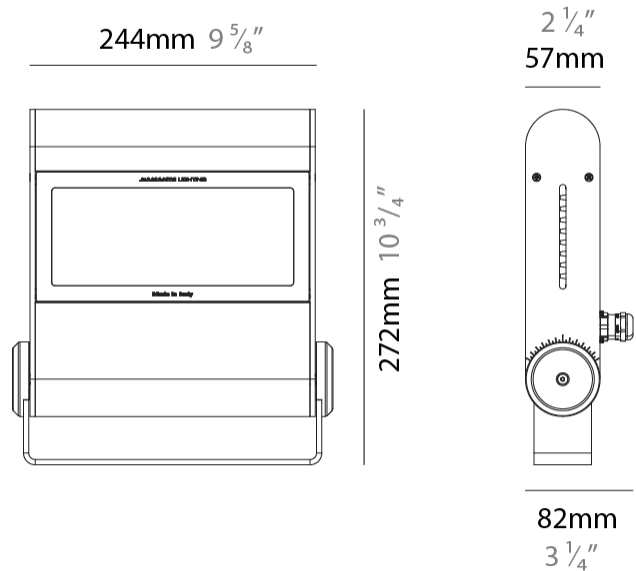
Number of LEDs: 24
 Color Temperature (°K): 2200 / 3000 / 4000 / 5700
 Max. Delivered Lumen (lm): Max 5045
 Nominal Lumen (lm): Max 5990
 CRI: >80 CRI
 Lamp Life (hrs): 100000

OPTICAL

Beam Angle: 120

RATINGS AND CERTIFICATIONS

Certified By: Certified for North American Standards
 IP rating: IP66
 IK Rating: IK08



PROJECT
TYPE
SPECIFIER
QUANTITY
DATE

LUMIX SURFACE

E15F022-

base number Beam Angle
Options

- To build a product code in our configurator select the specify button on the base model # product page
- To build a manual product code on this datasheet choose from the options listed below in blue font and add the suffix to the base model #

GENERAL

Series: LumiX
 Partner: Diamante
 Division: Exterior
 Installation: Surface
 Product Type: Flood
 Mounting Location: Above Ground
 Light Distribution: Adjustable / Direct

PHYSICAL

Shape: Rectangle
 Length (mm): 244
 Length (in): 9 5/8
 Width (mm): 82
 Width (in): 3 1/4
 Height (mm): 272
 Height (in): 10 3/4
 Weight (kg): 3
 Weight (lbs): 6.6
 Diffuser: Extra-Clear Tempered Sodium-Calcium Glass
 Fixture Finish: ANB
 Fixture Material: Aluminum Alloy

ELECTRICAL

Lamp Type: LED
 Input Wattage (W): 50
 Dimming: DMX
 Driver Included: No
 Driver Location: Remote
 Driver Class: Class 2
 Input Voltage (V): 120 - 277

LED

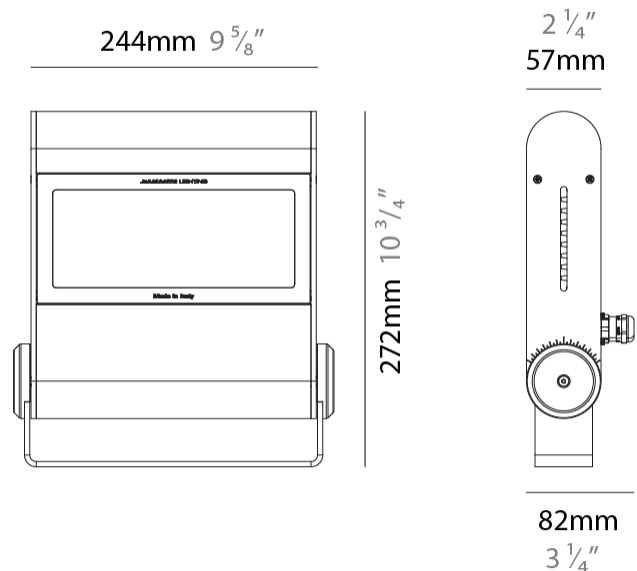
Number of LEDs: 24
 Color Temperature (°K): RGBW
 Max. Delivered Lumen (lm): 3285
 Nominal Lumen (lm): 4110
 CRI: >80 CRI
 Lamp Life (hrs): 100000

OPTICAL

Beam Angle: 100

RATINGS AND CERTIFICATIONS

Certified By: Certified for North American Standards
 IP rating: IP66
 IK Rating: IK08



PROJECT
TYPE
SPECIFIER
QUANTITY
DATE

LUMIX SURFACE

E15F023-

base number Color Beam Angle
 Temperature Options

- To build a product code in our configurator select the specify button on the base model # product page
- To build a manual product code on this datasheet choose from the options listed below in blue font and add the suffix to the base model #

GENERAL

Series: LumiX
 Partner: Diamante
 Division: Exterior
 Installation: Surface
 Product Type: Flood
 Mounting Location: Above Ground
 Light Distribution: Adjustable / Direct

PHYSICAL

Shape: Rectangle
 Length (mm): 433
 Length (in): 17 1/8
 Width (mm): 82
 Width (in): 3 1/4
 Height (mm): 272
 Height (in): 10 3/4
 Weight (kg): 5
 Weight (lbs): 11
 Diffuser: Extra-Clear Tempered Sodium-Calcium Glass
 Fixture Finish: ANB
 Fixture Material: Aluminum Alloy

ELECTRICAL

Lamp Type: LED
 Input Wattage (W): 100
 Dimming: Non-Dimmable
 Driver Included: Yes
 Driver Location: Integrated
 Driver Class: Class 2
 Input Voltage (V): 120 - 277

LED

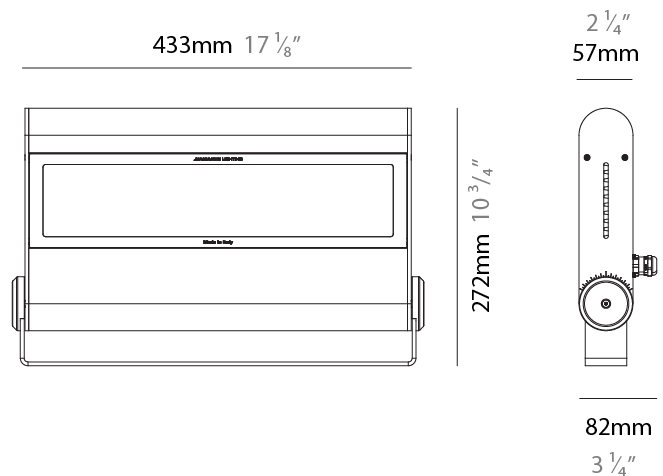
Number of LEDs: 24
 Color Temperature (°K): 2200 / 3000 / 4000 / 5700
 Max. Delivered Lumen (lm): Max 10090
 Nominal Lumen (lm): Max 11975
 CRI: >80 CRI
 Lamp Life (hrs): 100000

OPTICAL

Beam Angle: 100

RATINGS AND CERTIFICATIONS

Certified By: Certified for North American Standards
 IP rating: IP66
 IK Rating: IK08



PROJECT
TYPE
SPECIFIER
QUANTITY
DATE

LUMIX SURFACE

E15F024-

base number Beam Angle
Options

- To build a product code in our configurator select the specify button on the base model # product page
- To build a manual product code on this datasheet choose from the options listed below in blue font and add the suffix to the base model #

GENERAL

Series: LumiX
 Partner: Diamante
 Division: Exterior
 Installation: Surface
 Product Type: Flood
 Mounting Location: Above Ground
 Light Distribution: Adjustable / Indirect

PHYSICAL

Shape: Rectangle
 Length (mm): 433
 Length (in): 17 1/8
 Width (mm): 82
 Width (in): 3 1/4
 Height (mm): 272
 Height (in): 10 3/4
 Weight (kg): 5
 Weight (lbs): 11
 Diffuser: Extra-Clear Tempered Sodium-Calcium Glass
 Fixture Finish: ANB
 Fixture Material: Aluminum Alloy

ELECTRICAL

Lamp Type: LED
 Input Wattage (W): 100
 Dimming: DMX
 Driver Included: No
 Driver Location: Remote
 Driver Class: Class 2
 Input Voltage (V): 120 - 277

LED

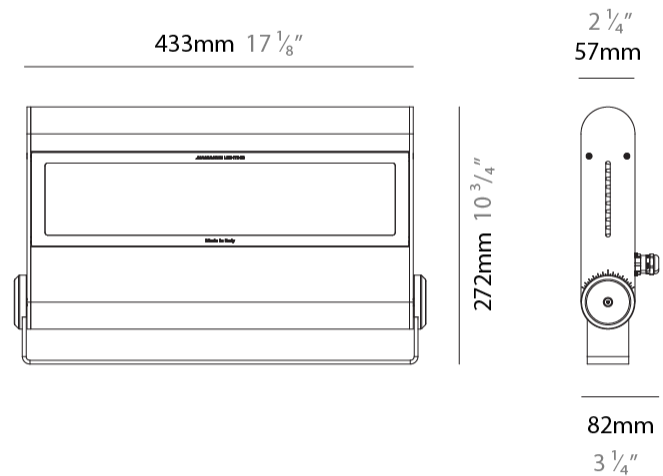
Number of LEDs: 24
 Color Temperature (°K): RGBW
 Max. Delivered Lumen (lm): 6570
 Nominal Lumen (lm): 8215
 CRI: >80 CRI
 Lamp Life (hrs): 100000

OPTICAL

Beam Angle: 100

RATINGS AND CERTIFICATIONS

Certified By: Certified for North American Standards
 IP rating: IP66
 IK Rating: IK08



PROJECT	
TYPE	
SPECIFIER	
QUANTITY	
DATE	

LUMIX SURFACE

E15F025-

base number Color Beam Angle
 Temperature Options

- To build a product code in our configurator select the specify button on the base model # product page
- To build a manual product code on this datasheet choose from the options listed below in blue font and add the suffix to the base model #

GENERAL

Series: LumiX
 Partner: Diamante
 Division: Exterior
 Installation: Surface
 Product Type: Flood
 Mounting Location: Above Ground
 Light Distribution: Adjustable / Indirect

PHYSICAL

Shape: Rectangle
 Length (mm): 614
 Length (in): 24 1/4
 Width (mm): 82
 Width (in): 3 1/4
 Height (mm): 272
 Height (in): 10 3/4
 Weight (kg): 7
 Diffuser: Extra-Clear Tempered Sodium-Calcium Glass
 Fixture Finish: ANB
 Fixture Material: Aluminum Alloy

ELECTRICAL

Lamp Type: LED
 Input Wattage (W): 150
 Dimming: Non-Dimmable
 Driver Included: Yes
 Driver Location: Integrated
 Driver Class: Class 2
 Input Voltage (V): 120 - 277

LED

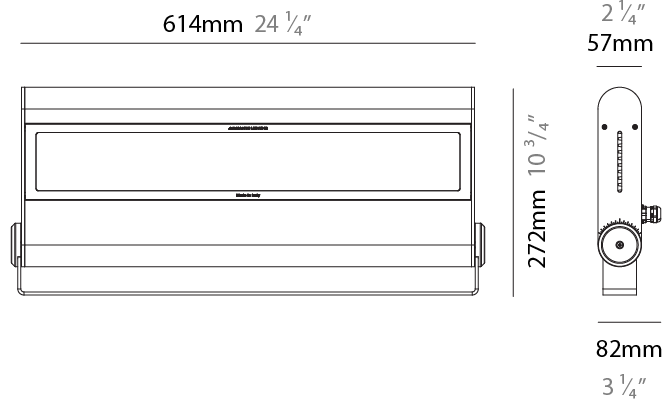
Number of LEDs: 72
 Color Temperature (°K): 2200 / 3000 / 4000 / 5700
 Max. Delivered Lumen (lm): Max 9855
 Nominal Lumen (lm): Max 12325
 CRI: >80 CRI
 Lamp Life (hrs): 100000

OPTICAL

Beam Angle: 5,8,35,50,45x8,8x45,75x40,40x75,100,ASY

RATINGS AND CERTIFICATIONS

Certified By: Certified for North American Standards
 IP rating: IP66
 IK Rating: IK08



PROJECT
TYPE
SPECIFIER
QUANTITY
DATE

LUMIX SURFACE

E15F026-

base number Beam Angle
Options

- To build a product code in our configurator select the specify button on the base model # product page
- To build a manual product code on this datasheet choose from the options listed below in blue font and add the suffix to the base model #

GENERAL

Series: LumiX
 Partner: Diamante
 Division: Exterior
 Installation: Surface
 Product Type: Flood
 Mounting Location: Above Ground
 Light Distribution: Adjustable / Direct

PHYSICAL

Shape: Rectangle
 Length (mm): 614
 Length (in): 24 1/4
 Width (mm): 82
 Width (in): 3 1/4
 Height (mm): 272
 Height (in): 10 3/4
 Weight (kg): 7
 Diffuser: Extra-Clear Tempered Sodium-Calcium Glass
 Fixture Finish: ANB
 Fixture Material: Aluminum Alloy

ELECTRICAL

Lamp Type: LED
 Input Wattage (W): 150
 Dimming: DMX
 Driver Included: No
 Driver Location: Remote
 Driver Class: Class 2
 Input Voltage (V): 120 - 277

LED

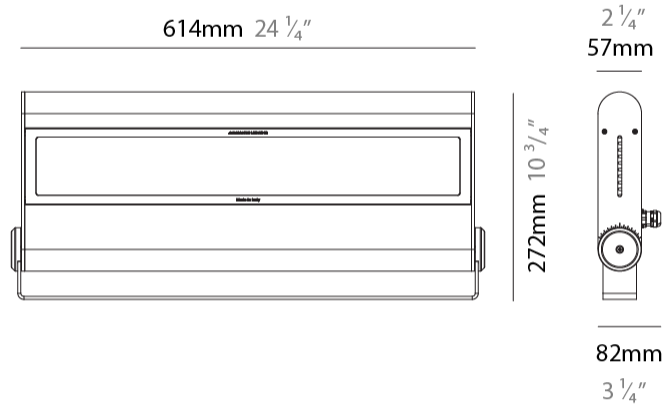
Number of LEDs: 72
 Color Temperature (°K): RGBW
 Max. Delivered Lumen (lm): 11225
 Nominal Lumen (lm): 13325
 CRI: >80 CRI
 Lamp Life (hrs): 100000

OPTICAL

Beam Angle: 5,8,35,50,45x8,8x45,75x40,40x75,100,ASY

RATINGS AND CERTIFICATIONS

Certified By: Certified for North American Standards
 IP rating: IP66
 IK Rating: IK08



PROJECT
TYPE
SPECIFIER
QUANTITY
DATE

LUMIX SURFACE

E15F027- -

base number Color Beam Angle
 Temperature Options

- To build a product code in our configurator select the specify button on the base model # product page
- To build a manual product code on this datasheet choose from the options listed below in blue font and add the suffix to the base model #

GENERAL

Series: LumiX
 Partner: Diamante
 Division: Exterior
 Installation: Surface
 Product Type: Flood
 Mounting Location: Above Ground
 Light Distribution: Adjustable / Direct

PHYSICAL

Shape: Rectangle
 Length (mm): 804
 Length (in): 31 3/4
 Width (mm): 82
 Width (in): 3 1/4
 Height (mm): 272
 Height (in): 10 3/4
 Weight (kg): 9
 Diffuser: Extra-Clear Tempered Sodium-Calcium Glass
 Fixture Finish: ANB
 Fixture Material: Aluminum Alloy

ELECTRICAL

Lamp Type: LED
 Input Wattage (W): 200
 Dimming: Non-Dimmable
 Driver Included: Yes
 Driver Location: Integrated
 Driver Class: Class 2
 Input Voltage (V): 120 - 277

LED

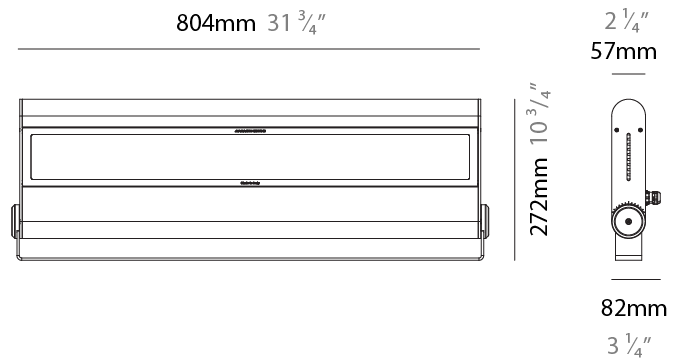
Number of LEDs: 72
 Color Temperature (°K): 2200 / 3000 / 4000 / 5700
 Max. Delivered Lumen (lm): Max 20180
 Nominal Lumen (lm): Max 23955
 CRI: >80 CRI
 Lamp Life (hrs): 100000

OPTICAL

Beam Angle: 5,8,35,50,45x8,8x45,75x40,40x75,100,ASY

RATINGS AND CERTIFICATIONS

Certified By: Certified for North American Standards
 IP rating: IP66
 IK Rating: IK08



PROJECT
TYPE
SPECIFIER
QUANTITY
DATE

LUMIX SURFACE

E15F028-

base number Beam Angle
Options

- To build a product code in our configurator select the specify button on the base model # product page
- To build a manual product code on this datasheet choose from the options listed below in blue font and add the suffix to the base model #

GENERAL

Series: LumiX
 Partner: Diamante
 Division: Exterior
 Installation: Surface
 Product Type: Flood
 Mounting Location: Above Ground
 Light Distribution: Adjustable / Direct

PHYSICAL

Shape: Rectangle
 Length (mm): 804
 Length (in): 31 3/4
 Width (mm): 82
 Width (in): 3 1/4
 Height (mm): 272
 Height (in): 10 3/4
 Weight (kg): 9
 Diffuser: Extra-Clear Tempered Sodium-Calcium Glass
 Fixture Finish: ANB
 Fixture Material: Aluminum Alloy

ELECTRICAL

Lamp Type: LED
 Input Wattage (W): 200
 Dimming: DMX
 Driver Included: No
 Driver Location: Remote
 Driver Class: Class 2
 Input Voltage (V): 120 - 277

LED

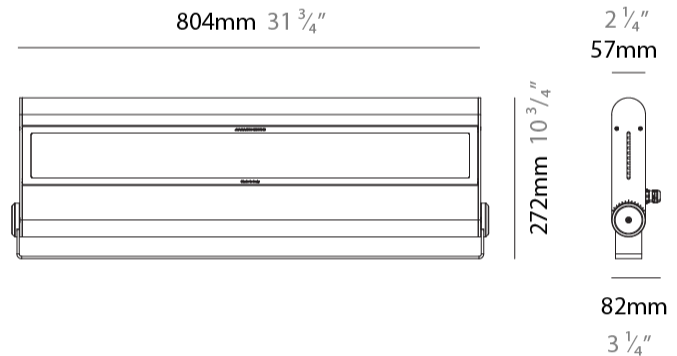
Number of LEDs: 72
 Color Temperature (°K): RGBW
 Max. Delivered Lumen (lm): Max 13140
 Nominal Lumen (lm): Max 16435
 CRI: >80 CRI
 Lamp Life (hrs): 100000

OPTICAL

Beam Angle: 5,8,35,50,45x8,8x45,75x40,40x75,100,ASY

RATINGS AND CERTIFICATIONS

Certified By: Certified for North American Standards
 IP rating: IP66
 IK Rating: IK08



PROJECT

TYPE

SPECIFIER

QUANTITY

DATE

Fixture Finish

Digital: Not all screens are calibrated the same, and therefore, colors will appear differently between screens.

Physical: When texture is involved, there will be variations in color, character and tone within a product series and between product families.



LEGEND

	floor-mounted		pivotable		special LED (upon request) RGB, RGBW, tunable, gold+, meat+, art+, fashion+
	wall and ceiling: recessed and surface mounted		rotating		warm dim / natural dimming LED
	ceiling-mounted and wall-mounted		illuminate tilted		rechargeable battery powered
	wall-mounted		color of suspension cable		fixture with natural vivid LED (upon request)
	omni-directional light distribution		length of suspension cable		color rendering index
	direct light distribution		reflector degree selection		color temperature
	direct/indirect light distribution		super spot		lumen (luminous flux)
	indirect light distribution		lens		efficacy (lumens per watt)
	asymmetric light distribution		lens pack		Unified Glare Rating (UGR) range from 5-40
	aura light distribution		shine ring		marine grade (AISI 316 stainless steel)
	round wall or ceiling cut-out		integrated shine ring with diffuser		walk on
	square wall or ceiling cut-out		free individual colors 01-29		drive on
	the supplied jig specifies the cutout dimensions		individual colors: 00 (free of charge), 01-25 (extra charge)		Dark Sky Compliance
	minimum distance (meters) lamp - object		luminaire part to be colored (F1)		Americans with Disabilities Act (less than 4" off the wall located between 27"-84" from floor)
	recessed depth		luminaire part to be colored (F2)		lamp protected against explosion
	ceiling thickness in mm		luminaire part to be colored (F3)		blown glass using traditional methods by master glass blower
	ceiling thickness selection		luminaire part to be colored (F4)		acoustic material
	dimmable DP (phase), DV (0-10V), DD (dali), DS (step-dim)		luminaire part to be colored (F5)		protection class I, protection insulation
	included or excluded LED driver/transformer/control gear		color of 3-circuit adaptor		protection class II, protection insulation
	separately switchable		indirect diffuser		ETL Certified to UL and CSA Standards
	sensor		direct diffuser		UL Certified to UL and CSA Standards
	remote control		ball-proof (upon request)		CSA Certified to UL and CSA Standards
	available upon request		accessory		Certified for North American Standards

IP RATING

	protected against ingress of solid bodies greater than 12.5mm (finger)
	protected against ingress of solid bodies greater than 2.5mm protected against sprays of water up to 60 degrees from the vertical (rain)
	protected against ingress of solid bodies greater than 1mm (wire) no protection against the ingress of moisture
	protected against ingress of solid bodies greater than 1mm (wire) protected against sprays of water up to 60 degrees from the vertical (rain)
	protected against ingress of solid bodies greater than 1mm (wire) protected against water splashed from all directions
	protected against limited ingress of dust (wet rooms/covered outdoor areas) protected against water splashed from all directions
	protected against ingress of dust protected against jets of water
	protected against ingress of dust protected against powerful jets of water or heavy seas
	protected against ingress of dust protected against immersion of water between 15cm - 1m for 30 minutes
	protected against ingress of dust protected against immersion of water under pressure for long periods

IK RATING

	protected against 0.14 joules impact (equivalent to 0.25kg mass dropped from 56mm above the surface)
	protected against 0.2 joules impact (equivalent to 0.25kg mass dropped from 80mm above the surface)
	protected against 0.35 joules impact (equivalent to 0.25kg mass dropped from 140mm above the surface)
	protected against 0.5 joules impact (equivalent to 0.25kg mass dropped from 200mm above the surface)
	protected against 0.7 joules impact (equivalent to 0.25kg mass dropped from 280mm above the surface)
	protected against 1 joules impact (equivalent to 0.25kg mass dropped from 400mm above the surface)
	protected against 2 joules impact (equivalent to 0.5kg mass dropped from 400mm above the surface)
	protected against 5 joules impact (equivalent to 1.7kg mass dropped from 300mm above the surface)
	protected against 10 joules impact (equivalent to 5.0kg mass dropped from 200mm above the surface)
	protected against 20 joules impact (equivalent to 5.0kg mass dropped from 400mm above the surface)