

## MIREA SUSPENSION

**D141195-** \_\_\_\_\_

base number      Finish      Finish  
 Options            Options      Options

- To build a product code in our configurator select the specify button on the base model # product page
- To build a manual product code on this datasheet choose from the options listed below in blue font and add the suffix to the base model #

### GENERAL

Series: Mirea  
 Brand: Cangini & Tucci  
 Division: Design  
 Mounting Type: Suspension  
 Mounting Location: Ceiling  
 Subcategory: Chandelier

### PHYSICAL

Shape: Abstract  
 Diameter (mm): 930  
 Diameter (in): 36 <sup>5</sup>/<sub>8</sub>  
 Length (mm): 930  
 Length (in): 36 <sup>5</sup>/<sub>8</sub>  
 Width (mm): 430  
 Width (in): 16 <sup>15</sup>/<sub>16</sub>  
 Height (mm): 830  
 Height (in): 32 <sup>11</sup>/<sub>16</sub>  
 Light Distribution: Omnidirectional  
 Weight (kg): 4.500  
 Weight (lbs): 9.92  
 Diffuser: Glass - Opal  
 Fixture Finish: [TRA](#) / [PNK](#) / [AMB](#) / [GRN](#) / [SKB](#) / [SMK](#) / [TOB](#) / [RUB](#)  
 Holder Finish: [SGD](#) / [SBZ](#) / [SBK](#)  
 Fixture Material: Glass / Metal

### ELECTRICAL

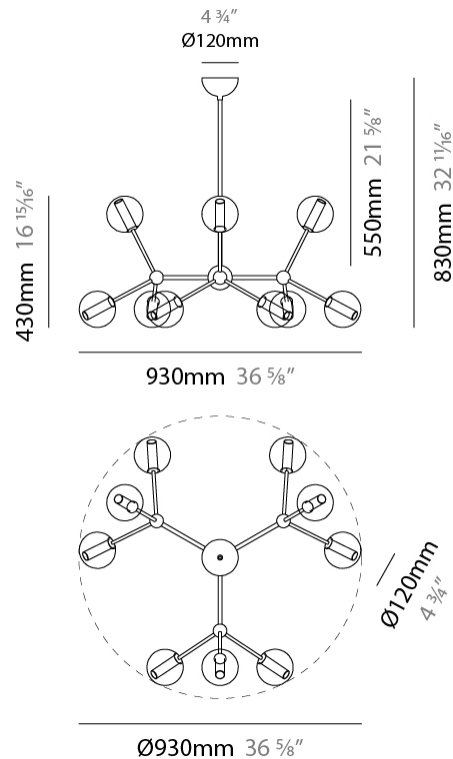
Lamp Type: LED Retrofit  
 Bulb Included: Bulb Not Included  
 Max. Wattage Per Lamp (W): 4  
 Lamp Base: G9  
 Input Voltage (V): 120

### LED

### OPTICAL

### RATINGS AND CERTIFICATIONS

Certified By: Certified for North American Standards  
 IP rating: IP20



## MIREA SUSPENSION

D141195-

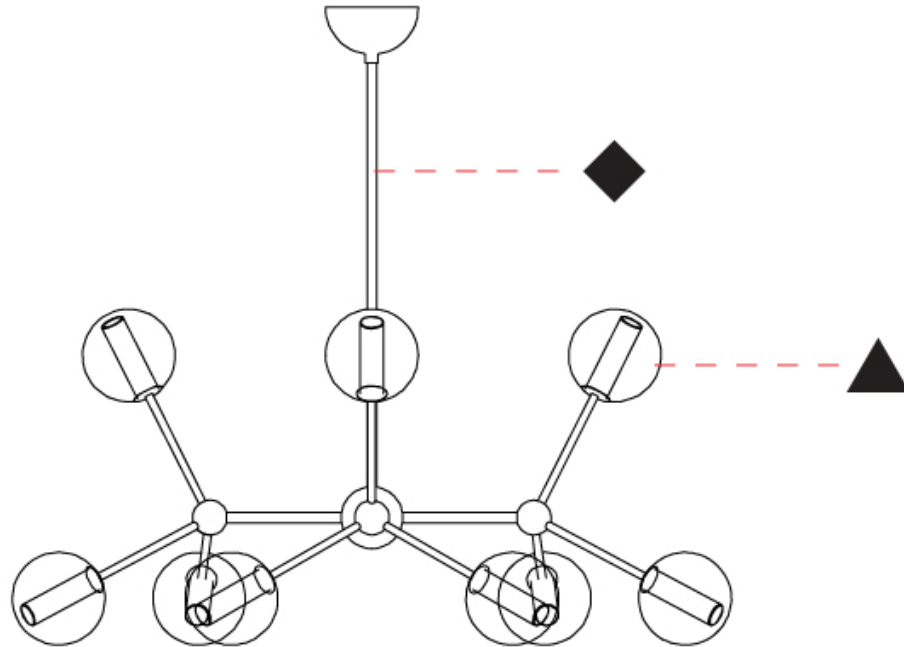
PROJECT

TYPE

SPECIFIER

QUANTITY

DATE



D

|           |       |
|-----------|-------|
| PROJECT   | _____ |
| TYPE      | _____ |
| SPECIFIER | _____ |
| QUANTITY  | _____ |
| DATE      | _____ |

## MIREA SUSPENSION

### D141196-

|             |                |                |
|-------------|----------------|----------------|
| base number | Finish Options | Finish Options |
|-------------|----------------|----------------|

- To build a product code in our configurator select the specify button on the base model # product page
- To build a manual product code on this datasheet choose from the options listed below in blue font and add the suffix to the base model #

#### GENERAL

|                            |
|----------------------------|
| Series: Mirea              |
| Brand: Cangini & Tucci     |
| Division: Design           |
| Mounting Type: Suspension  |
| Mounting Location: Ceiling |
| Subcategory: Chandelier    |

#### PHYSICAL

|   |
|---|
| Shape: Abstract   |
| Diameter (mm): 930  |
| Diameter (in): 36 <sup>5</sup> / <sub>8</sub>   |
| Length (mm): 840  |
| Length (in): 33 <sup>1</sup> / <sub>16</sub>  |
| Width (mm): 430   |
| Width (in): 16 <sup>15</sup> / <sub>16</sub>  |
| Height (mm): 830  |
| Height (in): 32 <sup>11</sup> / <sub>16</sub>   |
| Light Distribution: Omnidirectional   |
| Weight (kg): 4.500  |
| Weight (lbs): 9.92  |
| Diffuser: Glass - Opal  |
| Fixture Finish: <a href="#">TRA</a> / <a href="#">PNK</a> / <a href="#">AMB</a> / <a href="#">GRN</a> / <a href="#">SKB</a> / <a href="#">SMK</a> / <a href="#">TOB</a> / <a href="#">RUB</a> |
| Holder Finish: <a href="#">SGD</a> / <a href="#">SBZ</a> / <a href="#">SBK</a>  |
| Fixture Material: Glass / Metal   |

#### ELECTRICAL

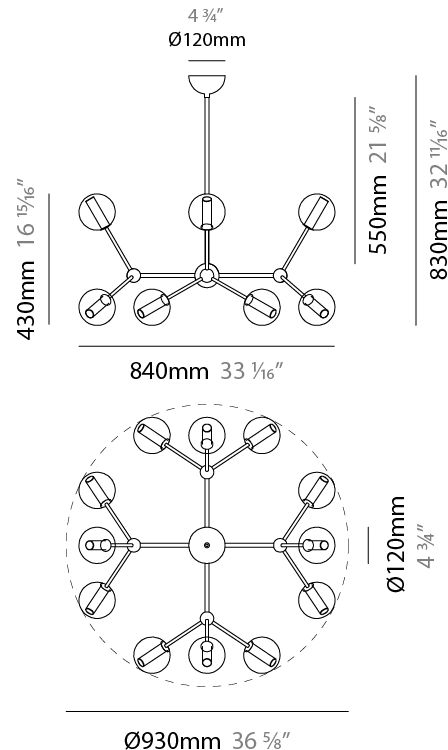
|                                  |
|----------------------------------|
| Lamp Type: LED Retrofit          |
| Bulb Included: Bulb Not Included |
| Max. Wattage Per Lamp (W): 4     |
| Lamp Base: G9                    |
| Input Voltage (V): 120           |

#### LED

#### OPTICAL

#### RATINGS AND CERTIFICATIONS

|  |
|--|
| Certified By: Certified for North American Standards |
| IP rating: IP20                                      |



## MIREA SUSPENSION

D141196-

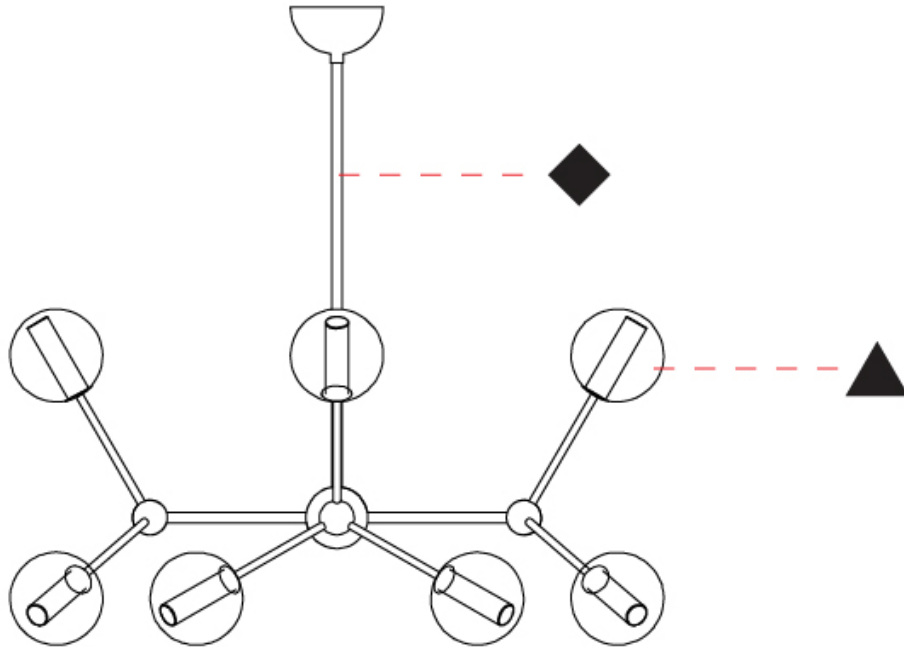
PROJECT

TYPE

SPECIFIER

QUANTITY

DATE



D

|           |  |
|-----------|--|
| PROJECT   |  |
| TYPE      |  |
| SPECIFIER |  |
| QUANTITY  |  |
| DATE      |  |

## MIREA SUSPENSION

### D141197-

|             |                |                |
|-------------|----------------|----------------|
| base number | Finish Options | Finish Options |
|-------------|----------------|----------------|

- To build a product code in our configurator select the specify button on the base model # product page
- To build a manual product code on this datasheet choose from the options listed below in blue font and add the suffix to the base model #

#### GENERAL

|                            |
|----------------------------|
| Series: Mirea              |
| Brand: Cangini & Tucci     |
| Division: Design           |
| Mounting Type: Suspension  |
| Mounting Location: Ceiling |
| Subcategory: Chandelier    |

#### PHYSICAL

|   |
|---|
| Shape: Abstract   |
| Diameter (mm): 1050   |
| Diameter (in): 41 <sup>5</sup> / <sub>16</sub>  |
| Length (mm): 1050   |
| Length (in): 41 <sup>5</sup> / <sub>16</sub>  |
| Width (mm): 430   |
| Width (in): 16 <sup>15</sup> / <sub>16</sub>  |
| Height (mm): 830  |
| Height (in): 32 <sup>11</sup> / <sub>16</sub>   |
| Light Distribution: Omnidirectional   |
| Weight (kg): 4.500  |
| Weight (lbs): 9.92  |
| Diffuser: Glass - Opal  |
| Fixture Finish: <a href="#">TRA</a> / <a href="#">PNK</a> / <a href="#">AMB</a> / <a href="#">GRN</a> / <a href="#">SKB</a> / <a href="#">SMK</a> / <a href="#">TOB</a> / <a href="#">RUB</a> |
| Holder Finish: <a href="#">SGD</a> / <a href="#">SBZ</a> / <a href="#">SBK</a>  |
| Fixture Material: Glass / Metal   |

#### ELECTRICAL

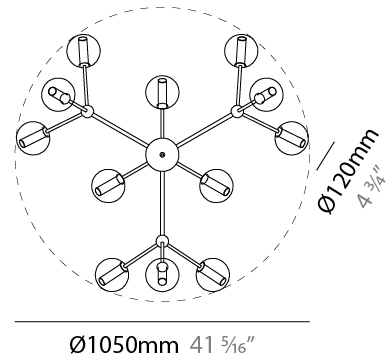
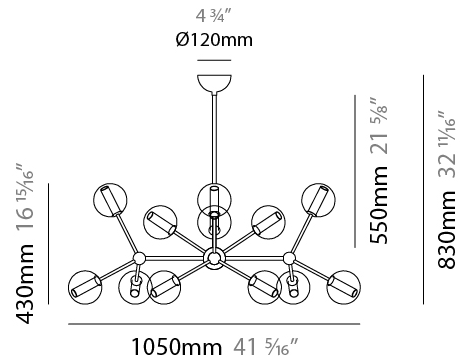
|                                  |
|----------------------------------|
| Lamp Type: LED Retrofit          |
| Bulb Included: Bulb Not Included |
| Max. Wattage Per Lamp (W): 4     |
| Lamp Base: G9                    |
| Input Voltage (V): 120           |

#### LED

#### OPTICAL

#### RATINGS AND CERTIFICATIONS

|  |
|--|
| Certified By: Certified for North American Standards |
| IP rating: IP20                                      |



## MIREA SUSPENSION

D141197-

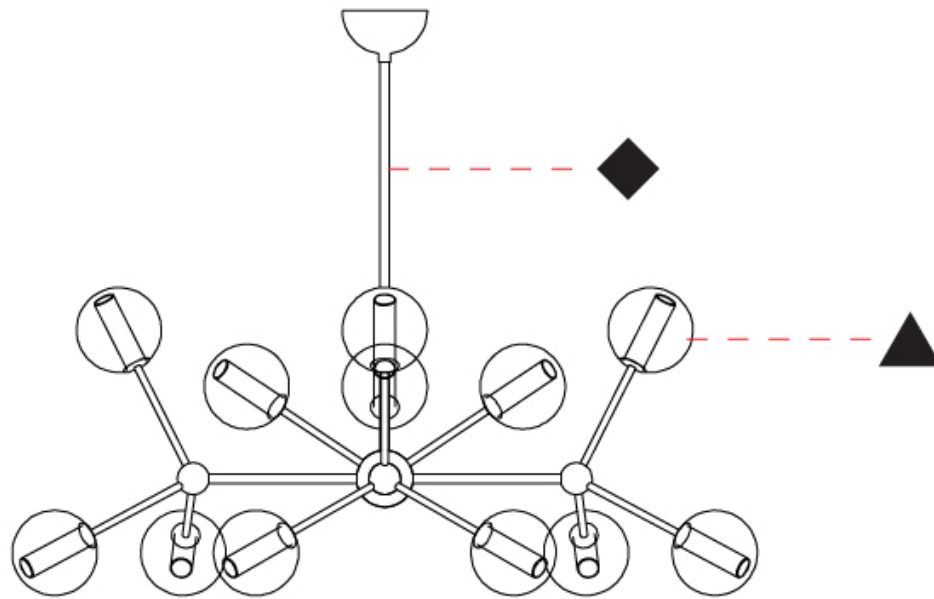
PROJECT

TYPE

SPECIFIER

QUANTITY

DATE



D

|           |  |
|-----------|--|
| PROJECT   |  |
| TYPE      |  |
| SPECIFIER |  |
| QUANTITY  |  |
| DATE      |  |

## MIREA SUSPENSION

### D141198-

|             |                |                |
|-------------|----------------|----------------|
| base number | Finish Options | Finish Options |
|-------------|----------------|----------------|

- To build a product code in our configurator select the specify button on the base model # product page
- To build a manual product code on this datasheet choose from the options listed below in blue font and add the suffix to the base model #

#### GENERAL

|                            |
|----------------------------|
| Series: Mirea              |
| Brand: Cangini & Tucci     |
| Division: Design           |
| Mounting Type: Suspension  |
| Mounting Location: Ceiling |
| Subcategory: Chandelier    |

#### PHYSICAL

|   |
|---|
| Shape: Abstract   |
| Diameter (mm): 1050   |
| Diameter (in): 41 <sup>5</sup> / <sub>16</sub>  |
| Length (mm): 980  |
| Length (in): 38 <sup>7</sup> / <sub>16</sub>  |
| Width (mm): 430   |
| Width (in): 16 <sup>15</sup> / <sub>16</sub>  |
| Height (mm): 830  |
| Height (in): 32 <sup>11</sup> / <sub>16</sub>   |
| Light Distribution: Omnidirectional   |
| Weight (kg): 7.100  |
| Weight (lbs): 15.65   |
| Diffuser: Glass - Opal  |
| Fixture Finish: <a href="#">TRA</a> / <a href="#">PNK</a> / <a href="#">AMB</a> / <a href="#">GRN</a> / <a href="#">SKB</a> / <a href="#">SMK</a> / <a href="#">TOB</a> / <a href="#">RUB</a> |
| Holder Finish: <a href="#">SGD</a> / <a href="#">SBZ</a> / <a href="#">SBK</a>  |
| Fixture Material: Glass / Metal   |

#### ELECTRICAL

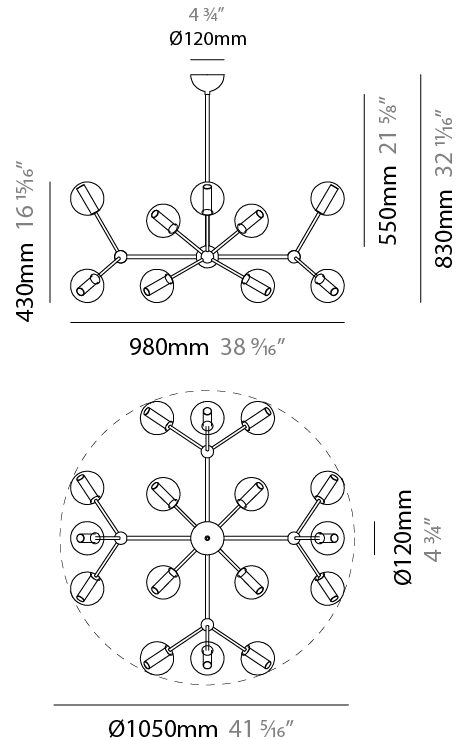
|                                  |
|----------------------------------|
| Lamp Type: LED Retrofit          |
| Bulb Included: Bulb Not Included |
| Max. Wattage Per Lamp (W): 4     |
| Lamp Base: G9                    |
| Input Voltage (V): 120           |

#### LED

#### OPTICAL

#### RATINGS AND CERTIFICATIONS

|  |
|--|
| Certified By: Certified for North American Standards |
| IP rating: IP20                                      |



## MIREA SUSPENSION

D141198-

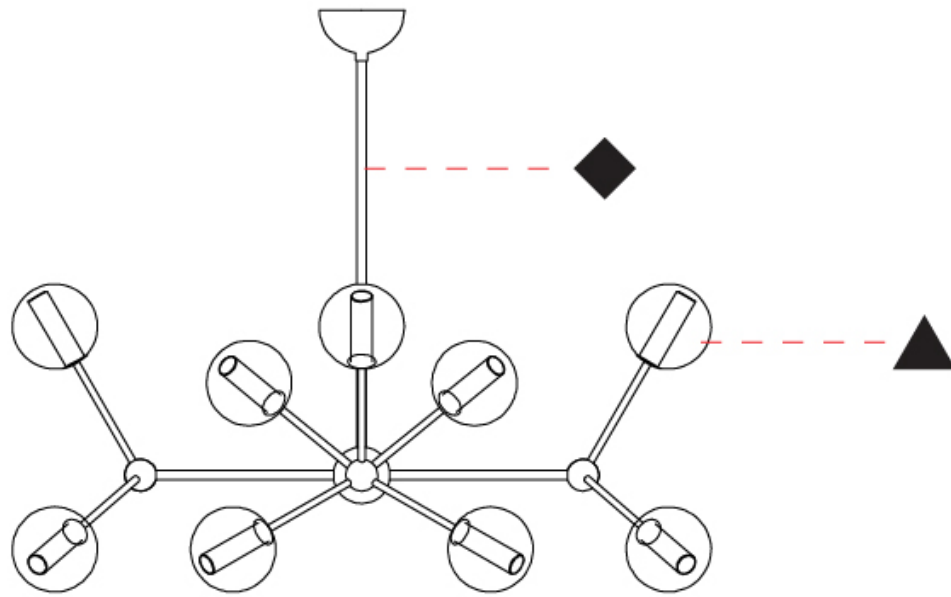
PROJECT

TYPE

SPECIFIER

QUANTITY

DATE



D



## MIREA SUSPENSION

**D141199-** -

base number      Finish Options      Finish Options

- To build a product code in our configurator select the specify button on the base model # product page
- To build a manual product code on this datasheet choose from the options listed below in blue font and add the suffix to the base model #

### GENERAL

Series: Mirea  
 Brand: Cangini & Tucci  
 Division: Design  
 Mounting Type: Suspension  
 Mounting Location: Ceiling  
 Subcategory: Chandelier

### PHYSICAL

Shape: Abstract  
 Length (mm): 1150  
 Length (in): 45 1/4  
 Width (mm): 570  
 Width (in): 22 7/16  
 Height (mm): 850  
 Height (in): 33 7/16  
 Light Distribution: Omnidirectional  
 Weight (kg): 4.900  
 Weight (lbs): 10.80  
 Diffuser: Glass - Opal  
 Fixture Finish: [TRA / PNK / AMB / GRN / SKB / SMK / TOB / RUB](#)  
 Holder Finish: [SGD / SBZ / SBK](#)  
 Fixture Material: Glass / Metal

### ELECTRICAL

Lamp Type: LED Retrofit  
 Bulb Included: Bulb Not Included  
 Max. Wattage Per Lamp (W): 4  
 Lamp Base: G9  
 Input Voltage (V): 120

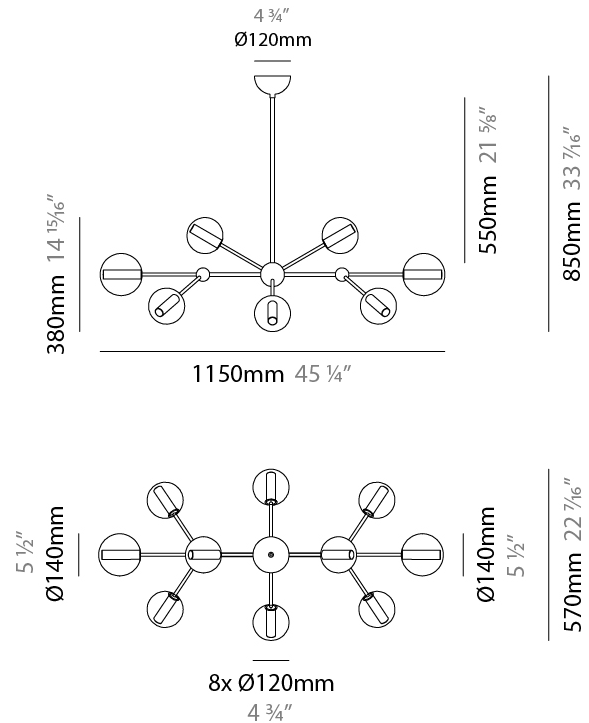
### LED

### OPTICAL

### RATINGS AND CERTIFICATIONS

Certified By: Certified for North American Standards  
 IP rating: IP20

|           |
|-----------|
| PROJECT   |
| TYPE      |
| SPECIFIER |
| QUANTITY  |
| DATE      |



## MIREA SUSPENSION

D141199-

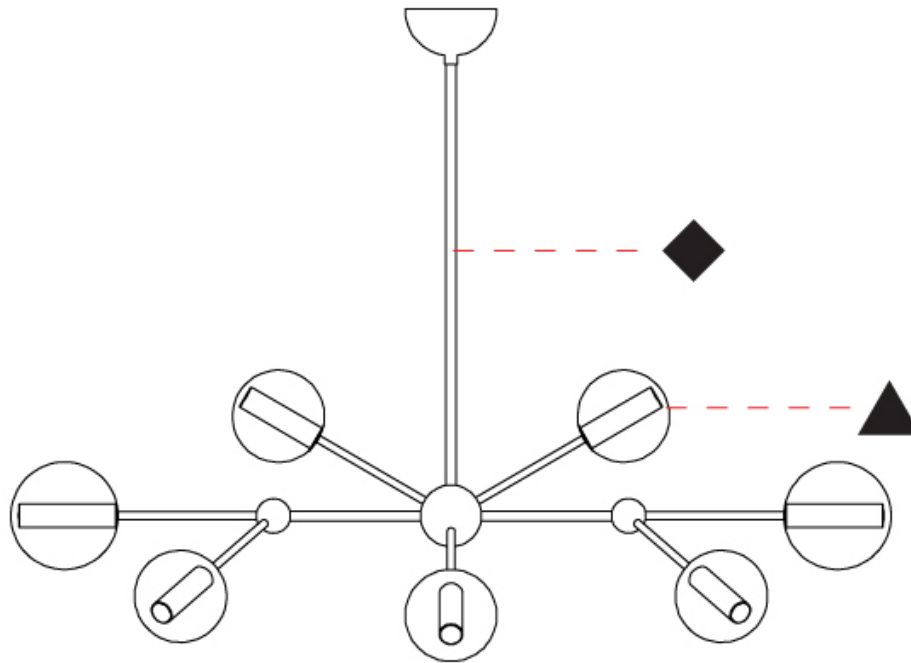
PROJECT \_\_\_\_\_

TYPE \_\_\_\_\_

SPECIFIER \_\_\_\_\_

QUANTITY \_\_\_\_\_

DATE \_\_\_\_\_



D

## MIREA COLOR FINISH CHART

PROJECT \_\_\_\_\_  
TYPE \_\_\_\_\_  
SPECIFIER \_\_\_\_\_  
QUANTITY \_\_\_\_\_  
DATE \_\_\_\_\_

### Fixture Finish

Transparent - TRA



Pink - PNK



Amber - AMB



Green - GRN



Sky Blue - SKB



Smoke - SMK



Tobacco - TOB



Ruby - RUB

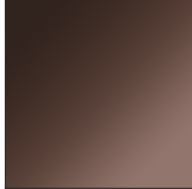


### Holder Finish

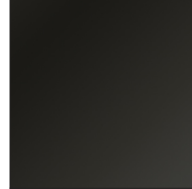
Satin Gold - SGD



Satin Bronze - SBZ



Satin Black Nickel - SBK



**Digital:** Not all screens are calibrated the same, and therefore, colors will appear differently between screens.

**Physical:** When texture is involved, there will be variations in color, character and tone within a product series and between product families.



### LEGEND

|  |  |  |
|--|--|--|
|  floor-mounted   |  pivotable  |  special LED (upon request) RGB, RGBW, tunable, gold+, meat+, art+, fashion+                    |
|  wall and ceiling: recessed and surface mounted              |  rotating   |  warm dim / natural dimming LED   |
|  ceiling-mounted and wall-mounted                            |  illuminate tilted  |  rechargeable battery powered   |
|  wall-mounted  |  color of suspension cable                                    |  fixture with natural vivid LED (upon request)  |
|  omni-directional light distribution                         |  length of suspension cable                                   |  color rendering index  |
|  direct light distribution                                   |  reflector degree selection                                   |  color temperature  |
|  direct/indirect light distribution                          |  super spot   |  lumen (luminous flux)  |
|  indirect light distribution                                 |  lens   |  efficacy (lumens per watt)   |
|  asymmetric light distribution                               |  lens pack  |  Unified Glare Rating (UGR) range from 5-40   |
|  aura light distribution                                     |  shine ring   |  marine grade (AISI 316 stainless steel)  |
|  round wall or ceiling cut-out                               |  integrated shine ring with diffuser                          |  walk on  |
|  square wall or ceiling cut-out                              |  free individual colors 01-29                                 |  drive on   |
|  the supplied jig specifies the cutout dimensions            |  individual colors: 00 (free of charge), 01-25 (extra charge) |  Dark Sky Compliance  |
|  minimum distance (meters) lamp - object                     |  luminaire part to be colored (F1)                            |  Americans with Disabilities Act (less than 4" off the wall located between 27"-84" from floor) |
|  recessed depth  |  luminaire part to be colored (F2)                            |  lamp protected against explosion   |
|  ceiling thickness in mm                                    |  luminaire part to be colored (F3)                           |  blown glass using traditional methods by master glass blower                                  |
|  ceiling thickness selection                               |  luminaire part to be colored (F4)                          |  acoustic material  |
|  dimmable DP (phase), DV (0-10V), DD (dali), DS (step-dim) |  luminaire part to be colored (F5)                          |  protection class I, protection insulation  |
|  included or excluded LED driver/transformer/control gear  |  color of 3-circuit adaptor                                 |  protection class II, protection insulation   |
|  separately switchable                                     |  indirect diffuser  |  ETL Certified to UL and CSA Standards  |
|  sensor  |  direct diffuser  |  UL Certified to UL and CSA Standards   |
|  remote control  |  ball-proof (upon request)                                  |  CSA Certified to UL and CSA Standards  |
|  available upon request                                    |  accessory  |  Certified for North American Standards   |

### IP RATING

|  |  |
|--|--|
|  IP20 | protected against ingress of solid bodies greater than 12.5mm (finger)   |
|  IP33 | protected against ingress of solid bodies greater than 2.5mm<br>protected against sprays of water up to 60 degrees from the vertical (rain)      |
|  IP40 | protected against ingress of solid bodies greater than 1mm (wire)<br>no protection against the ingress of moisture                               |
|  IP43 | protected against ingress of solid bodies greater than 1mm (wire)<br>protected against sprays of water up to 60 degrees from the vertical (rain) |
|  IP44 | protected against ingress of solid bodies greater than 1mm (wire)<br>protected against water splashed from all directions                        |
|  IP54 | protected against limited ingress of dust (wet rooms/covered outdoor areas)<br>protected against water splashed from all directions              |
|  IP65 | protected against ingress of dust<br>protected against jets of water   |
|  IP66 | protected against ingress of dust<br>protected against powerful jets of water or heavy seas  |
|  IP67 | protected against ingress of dust<br>protected against immersion of water between 15cm - 1m for 30 minutes                                       |
|  IP68 | protected against ingress of dust<br>protected against immersion of water under pressure for long periods  |

### IK RATING

|  |   |
|--|---|
|  IK01 | protected against 0.14 joules impact (equivalent to 0.25kg mass dropped from 56mm above the surface)  |
|  IK02 | protected against 0.2 joules impact (equivalent to 0.25kg mass dropped from 80mm above the surface)   |
|  IK03 | protected against 0.35 joules impact (equivalent to 0.25kg mass dropped from 140mm above the surface) |
|  IK04 | protected against 0.5 joules impact (equivalent to 0.25kg mass dropped from 200mm above the surface)  |
|  IK05 | protected against 0.7 joules impact (equivalent to 0.25kg mass dropped from 280mm above the surface)  |
|  IK06 | protected against 1 joules impact (equivalent to 0.25kg mass dropped from 400mm above the surface)    |
|  IK07 | protected against 2 joules impact (equivalent to 0.5kg mass dropped from 400mm above the surface)     |
|  IK08 | protected against 5 joules impact (equivalent to 1.7kg mass dropped from 300mm above the surface)     |
|  IK09 | protected against 10 joules impact (equivalent to 5.0kg mass dropped from 200mm above the surface)    |
|  IK10 | protected against 20 joules impact (equivalent to 5.0kg mass dropped from 400mm above the surface)    |