

PROJECT
TYPE
SPECIFIER
QUANTITY
DATE

NANO ROUND RECESSED

E9Q050-

base number	Color	Lens
	Temperature	Options

- To build a product code in our configurator select the specify button on the base model # product page
- To build a manual product code on this datasheet choose from the options listed below in blue font and add the suffix to the base model #

GENERAL

Series: Nano
Subseries: Nano Round
Brand: Platek
Division: Exterior
Mounting Type: Recessed
Mounting Location: Ceiling
Subcategory: Downlight

PHYSICAL

Shape: Round
Diameter (mm): 45
Diameter (in): 1 3/4
Height (mm): 65
Height (in): 2 9/16
Ceiling Thickness (mm): 10 - 20
Ceiling Thickness (in): 3/8 - 13/16
Light Distribution: Downlight
Diffuser: Clear tempered glass
Fixture Finish: SST
Fixture Material: Stainless Steel AISI 316L
Cut-out Measurements: 37mm / 1 7/16" diameter

ELECTRICAL

Lamp Type: LED
Total Output Wattage (W): 2
Dimming: Non-Dimming / Phase Dimming (120Vac only) / 0-10V Dimming
Driver Included: No
Driver Location: Remote
Driver Type: Constant Current - 120 / 277Vac
Driver Class: Class 2
Input Voltage (V): 120 - 277
Constant Current (MA): 700

LED

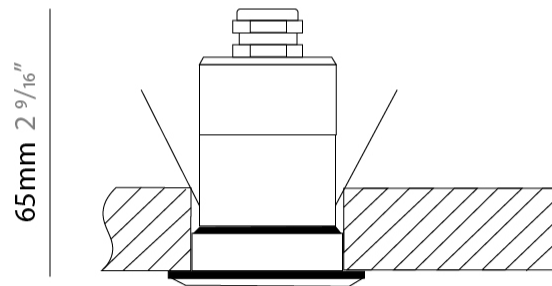
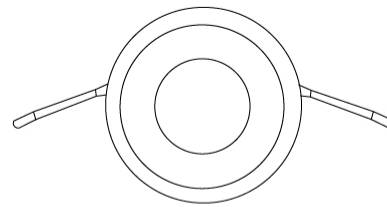
Number of LEDs: 1
Color Temperature (°K): 2700 / 3000 / 4000
Max. Delivered Lumen (lm): 155 - 175 / 160 - 180
Nominal Lumen (lm): 250 / 260
CRI: >80 CRI
Lamp Life (hrs): 60000

OPTICAL

Optic°: 14 / 26 / 33

RATINGS AND CERTIFICATIONS

Certified By: Certified for North American Standards
IP rating: IP68
IK Rating: IK07
Bug Rating: B0 U0 G0
Marine Grade: Stainless Steel AISI 316L
Upon Request: Higher Maximum Ambient Temperature



Ø45mm 1 3/4"



ZANEEN®

NANO ROUND RECESSED

E9Q050-

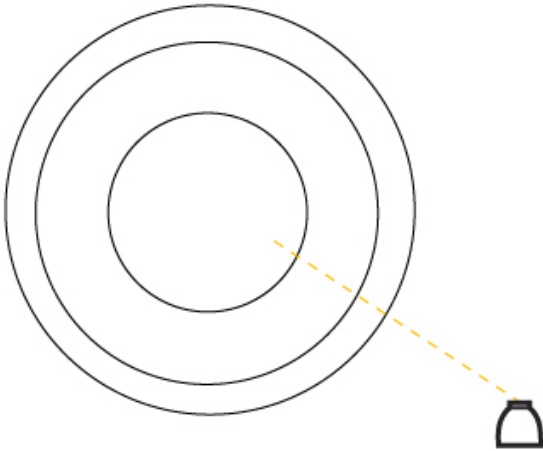
PROJECT _____

TYPE _____

SPECIFIER _____

QUANTITY _____

DATE _____



NANO SQUARE RECESSED

E9Q116- -

base number Color Lens
 Temperature Options

- To build a product code in our configurator select the specify button on the base model # product page
- To build a manual product code on this datasheet choose from the options listed below in blue font and add the suffix to the base model #

GENERAL

Series: Nano
 Subseries: Nano Square
 Brand: Platek
 Division: Exterior
 Mounting Type: Recessed
 Mounting Location: Ceiling
 Subcategory: Downlight

PHYSICAL

Shape: Square
 Length (mm): 45
 Length (in): 1 3/4
 Width (mm): 45
 Width (in): 1 3/4
 Height (mm): 65
 Height (in): 2 9/16
 Ceiling Thickness (mm): 10 - 20
 Ceiling Thickness (in): 3/8 - 13/16
 Light Distribution: Downlight
 Diffuser: Clear tempered glass
 Fixture Finish: SST
 Fixture Material: Stainless Steel AISI 316L
 Cut-out Measurements: 37mm / 1 7/16" diameter

ELECTRICAL

Lamp Type: LED
 Input Wattage (W): 2
 Total Output Wattage (W): 1.2 / 2
 Driver Included: No
 Driver Location: Remote
 Driver Type: Constant Current - 120 / 277Vac
 Input Voltage (V): 120 - 277
 Constant Current (MA): 350 / 700
 Upon Request: (Not included - see components [IP65 or higher enclosure to be supplied by others]) 0-10Vdc dimming / Phase dimming / Non-dimming 120/277Vac

LED

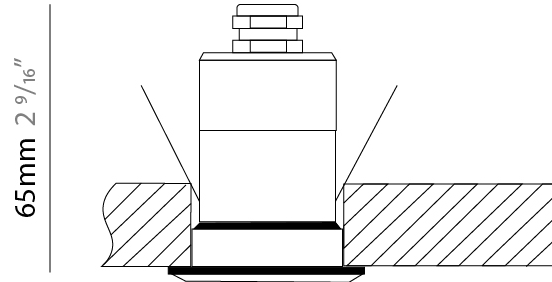
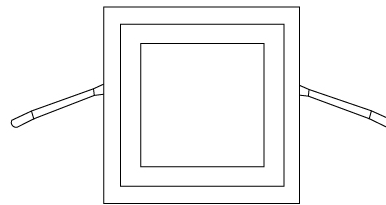
Number of LEDs: 1
 Color Temperature (°K): 2700 / 3000 / 4000
 Max. Delivered Lumen (lm): 155 - 175 / 160 - 180
 Nominal Lumen (lm): 250 / 260
 CRI: >80 CRI
 Lamp Life (hrs): 60000

OPTICAL

Optic°: 14 / 26 / 33

RATINGS AND CERTIFICATIONS

Certified By: Certified for North American Standards
 IP rating: IP68
 IK Rating: IK07
 Bug Rating: B0 U0 G0
 Marine Grade: Stainless Steel AISI 316L
 Upon Request: Higher Maximum Ambient Temperature



Ø45mm 1 3/4"



NANO SQUARE RECESSED

E9Q116-

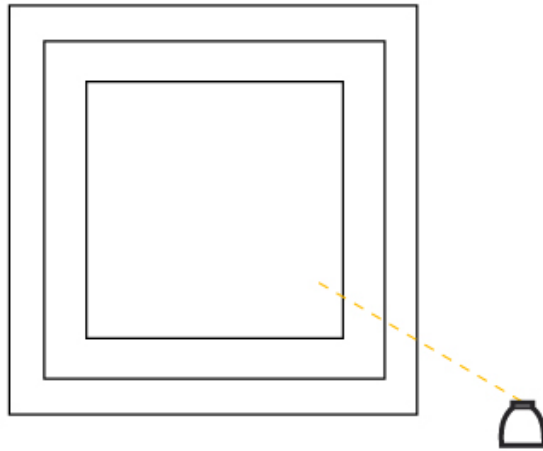
PROJECT

TYPE

SPECIFIER

QUANTITY

DATE



PROJECT
TYPE
SPECIFIER
QUANTITY
DATE

Fixture Finish

Stainless Steel Inox - SST



Digital: Not all screens are calibrated the same, and therefore, colors will appear differently between screens.

Physical: When texture is involved, there will be variations in color, character and tone within a product series and between product families.



PROJECT	_____
TYPE	_____
SPECIFIER	_____
QUANTITY	_____
DATE	_____

LEGEND

↓ floor-mounted	↗ pivotable	⊗ special LED (upon request) RGB, RGBW, tunable, gold+, meat+, art+, fashion+
↗ wall and ceiling: recessed and surface mounted	↻ rotating	⊙ warm dim / natural dimming LED
↑ ceiling-mounted and wall-mounted	↻ illuminate tilted	🔋 rechargeable battery powered
→ wall-mounted	⚙ color of suspension cable	🌈 fixture with natural vivid LED (upon request)
☑ omni-directional light distribution	⏴ length of suspension cable	📊 CRI color rendering index
▲ direct light distribution	📐 reflector degree selection	°K color temperature
☒ direct/indirect light distribution	📡 super spot	LM lumen (luminous flux)
☑ indirect light distribution	🔍 lens	⊙ efficacy (lumens per watt)
☒ asymmetric light distribution	🔗 lens pack	UGR Unified Glare Rating (UGR) range from 5-40
☒ aura light distribution	👁 shine ring	🌊 marine grade (AISI 316 stainless steel)
👁 round wall or ceiling cut-out	👁 integrated shine ring with diffuser	🚶 walk on
👁 square wall or ceiling cut-out	🗃 free individual colors 01-29	🚶 drive on
📏 the supplied jig specifies the cutout dimensions	🗃 individual colors: 00 (free of charge), 01-25 (extra charge)	🌌 Dark Sky Compliance
📏 minimum distance (meters) lamp - object	◆ luminaire part to be colored (F1)	♿ Americans with Disabilities Act (less than 4" off the wall located between 27"-84" from floor)
📏 recessed depth	▲ luminaire part to be colored (F2)	💣 lamp protected against explosion
📏 ceiling thickness in mm	● luminaire part to be colored (F3)	👉 blown glass using traditional methods by master glass blower
📏 ceiling thickness selection	■ luminaire part to be colored (F4)	🔊 acoustic material
📏 dimmable DP (phase), DV (0-10V), DD (dali), DS (step-dim)	📐 luminaire part to be colored (F5)	⚡ protection class I, protection insulation
📏 included or excluded LED driver/transformer/control gear	📏 color of 3-circuit adaptor	📏 protection class II, protection insulation
🔗 separately switchable	👁 indirect diffuser	📏 ETL Certified to UL and CSA Standards
📡 sensor	👁 direct diffuser	📏 UL Certified to UL and CSA Standards
📏 remote control	🏀 ball-proof (upon request)	📏 CSA Certified to UL and CSA Standards
📏 available upon request	🔗 accessory	📏 Certified for North American Standards

IP RATING

IP20	protected against ingress of solid bodies greater than 12.5mm (finger)
IP33	protected against ingress of solid bodies greater than 2.5mm protected against sprays of water up to 60 degrees from the vertical (rain)
IP40	protected against ingress of solid bodies greater than 1mm (wire) no protection against the ingress of moisture
IP43	protected against ingress of solid bodies greater than 1mm (wire) protected against sprays of water up to 60 degrees from the vertical (rain)
IP44	protected against ingress of solid bodies greater than 1mm (wire) protected against water splashed from all directions
IP54	protected against limited ingress of dust (wet rooms/covered outdoor areas) protected against water splashed from all directions
IP65	protected against ingress of dust protected against jets of water
IP66	protected against ingress of dust protected against powerful jets of water or heavy seas
IP67	protected against ingress of dust protected against immersion of water between 15cm - 1m for 30 minutes
IP68	protected against ingress of dust protected against immersion of water under pressure for long periods

IK RATING

IK01	protected against 0.14 joules impact (equivalent to 0.25kg mass dropped from 56mm above the surface)
IK02	protected against 0.2 joules impact (equivalent to 0.25kg mass dropped from 80mm above the surface)
IK03	protected against 0.35 joules impact (equivalent to 0.25kg mass dropped from 140mm above the surface)
IK04	protected against 0.5 joules impact (equivalent to 0.25kg mass dropped from 200mm above the surface)
IK05	protected against 0.7 joules impact (equivalent to 0.25kg mass dropped from 280mm above the surface)
IK06	protected against 1 joules impact (equivalent to 0.25kg mass dropped from 400mm above the surface)
IK07	protected against 2 joules impact (equivalent to 0.5kg mass dropped from 400mm above the surface)
IK08	protected against 5 joules impact (equivalent to 1.7kg mass dropped from 300mm above the surface)
IK09	protected against 10 joules impact (equivalent to 5.0kg mass dropped from 200mm above the surface)
IK10	protected against 20 joules impact (equivalent to 5.0kg mass dropped from 400mm above the surface)