

| | |
|-----------|--|
| PROJECT | |
| TYPE | |
| SPECIFIER | |
| QUANTITY | |
| DATE | |

SERENII SUSPENSION

A3001161-

| | | | | | | |
|-------------|----------------------|-----------------------|------------------------|---------------------|-----------------|---------------------|
| base number | Color Temperature | Finishes (Diamond) | Finishes (Triangle) | Acoustic Options | Cable Length | Diffuser Options |
|-------------|----------------------|-----------------------|------------------------|---------------------|-----------------|---------------------|

- To build a product code in our configurator select the specify button on the base model # product page
- To build a manual product code on this datasheet choose from the options listed below in blue font and add the suffix to the base model #

GENERAL

Series: Serenii
 Partner: Prolicht
 Division: Architectural
 Installation: Suspension
 Product Type: Acoustic
 Mounting Location: Ceiling
 Light Distribution: Direct

PHYSICAL

Shape: Rectangle
 Length (mm): 2320
 Length (in): 91 ³/₈
 Width (mm): 580
 Width (in): 22 ⁷/₈
 Height (mm): 91
 Height (in): 3 ⁹/₁₆
 Max. Overall Height (mm): 2091
 Max. Overall Height (in): 82 ⁵/₁₆
 Weight (kg): 8.3
 Weight (lbs): 18.30

Diffuser: [PMMA - Opal / Clear / Microprism / Clear Microprism / Wallwash Double Asymmetric / Glare Control / Black Raster / Black Raster / Wallwash Left / Wallwash Right](#)

Fixture Finish: [SSR / BKV / CWI / CRY / HAB / UFT / ITA / RUA / FTG / MYG / LOD / PUS / FRO / FUP / KIA / POP / BLS / SPG / MEY / GOH / CHC / COM / ABZ / JAG / OBR / MOS / ROR](#)

Holder Finish: [SSR / BKV / CWI / CRY / HAB / LAG / UFT / ITA / RUA / RUR / MIC / FTG / MYG / TWT / LOD / PUS / FRO / FUP / KIA / POP / BLS / SPG / MEY / GOH / GUM / CHC / COM / ABZ / JAG](#)

Accent Finish: [OPL / MPM / CMP / BKR / WHR / GCL / WWR / WWL / WDA](#)

Acoustic Finish: [SFW / CYW / SEE / SYN / MTS / PMB / TTN / CYB / STO / DPE / BES / SHB / ARE / ANE / VRD / CRF](#)

Fixture Material: [Acoustic / Aluminum / PMMA](#)

Primary Material: [Acoustic](#)

Cable Details: [2000mm/78 3/4" or 6000mm/236 1/4" Cable, - Transparent](#)

ELECTRICAL

Lamp Type: LED
 Input Wattage (W): 38.7
 Total Output Wattage (W): 35.5
 Dimming: [Non-dimming / DALI Dimming / MATTER Dimming](#)
 Driver Included: No
 Driver Location: Remote
 Driver Class: Class 2
 Input Voltage (V): 120 - 277
 Upon Request: [0 - 10V Dimming / Phase Dimming](#)

LED

Color Temperature (°K): [2700 / 3000 / 3500 / 4000](#)
 Max. Delivered Lumen (lm): Max 5540
 Nominal Lumen (lm): Max 6420
 CRI: >90 CRI
 Lamp Life (hrs): 50000

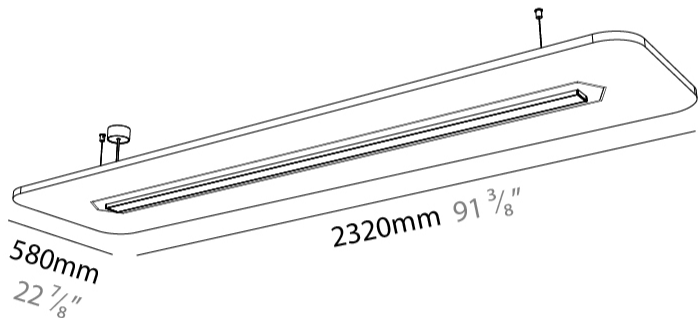
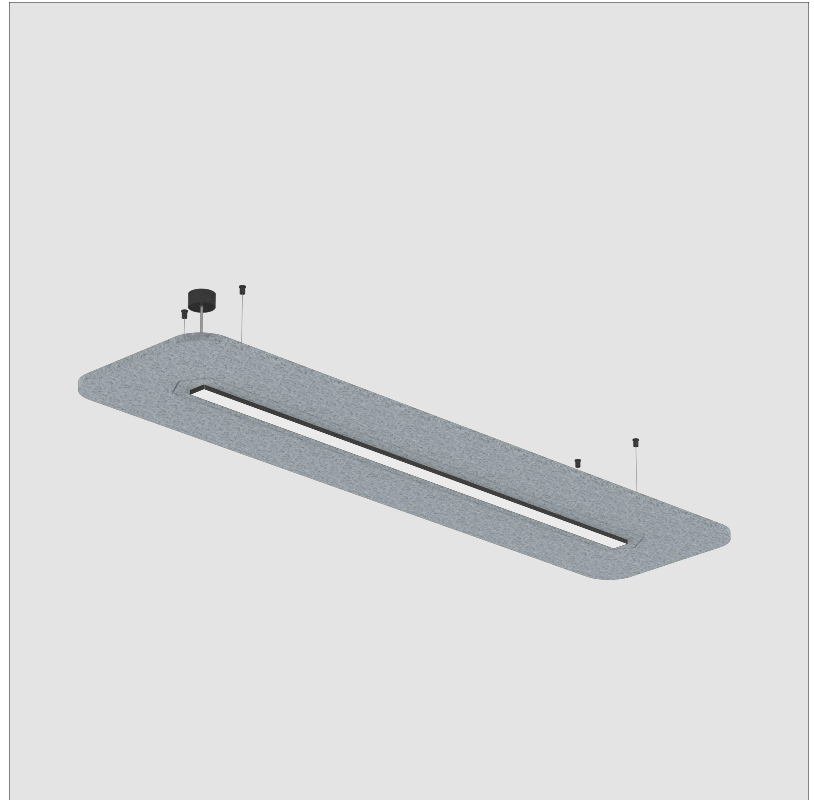
OPTICAL

RATINGS AND CERTIFICATIONS

Certified By: Certified for North American Standards

© 2026, T 1800-388-3382, F 416-247-9319, www.zaneen.com

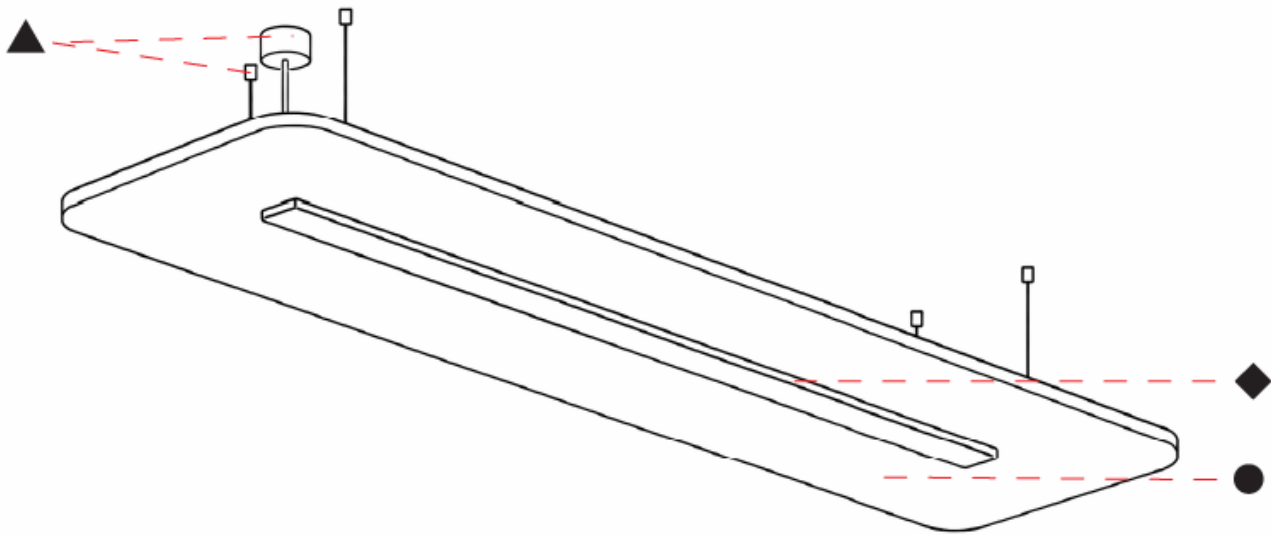
Available for International specifications by adding 'INT' at the end of the existing Model #. For assistance on 'custom' specifications, contact zteam@zaneen.com. In a constant effort to supply the best product, we reserve the right to change specifications or materials without notice. The most recent specification sheets are found at zaneen.com



SERENII SUSPENSION

A3001161-

| | |
|-----------|-------|
| PROJECT | _____ |
| TYPE | _____ |
| SPECIFIER | _____ |
| QUANTITY | _____ |
| DATE | _____ |



A

| |
|-----------|
| PROJECT |
| TYPE |
| SPECIFIER |
| QUANTITY |
| DATE |

SERENII SUSPENSION

A3001162-

| | | | | | | |
|-------------|----------------------|-----------------------|------------------------|---------------------|-----------------|---------------------|
| base number | Color Temperature | Finishes (Diamond) | Finishes (Triangle) | Acoustic Options | Cable Length | Diffuser Options |
|-------------|----------------------|-----------------------|------------------------|---------------------|-----------------|---------------------|

- To build a product code in our configurator select the specify button on the base model # product page
- To build a manual product code on this datasheet choose from the options listed below in blue font and add the suffix to the base model #

GENERAL

Series: Serenii
 Partner: Prolicht
 Division: Architectural
 Installation: Suspension
 Product Type: Acoustic
 Mounting Location: Ceiling
 Light Distribution: Direct / Indirect

PHYSICAL

Shape: Rectangle
 Length (mm): 2320
 Length (in): 91 ³/₈
 Width (mm): 580
 Width (in): 22 ⁷/₈
 Height (mm): 91
 Height (in): 3 ⁹/₁₆
 Max. Overall Height (mm): 2091
 Max. Overall Height (in): 82 ⁵/₁₆
 Weight (kg): 6.2
 Weight (lbs): 13.67

Diffuser: [PMMA - Opal / Clear / Microprism / Clear Microprism / Wallwash Double Asymmetric / Glare Control / Black Raster / Black Raster / Wallwash Left / Wallwash Right](#)

Fixture Finish: [SSR / BKV / CWI / CRY / HAB / UFT / ITA / RUA / FTG / MYG / LOD / PUS / FRO / FUP / KIA / POP / BLS / SPG / MEY / GOH / CHC / COM / ABZ / JAG / OBR / MOS / ROR](#)

Holder Finish: [SSR / BKV / CWI / CRY / HAB / LAG / UFT / ITA / RUA / RUR / MIC / FTG / MYG / TWT / LOD / PUS / FRO / FUP / KIA / POP / BLS / SPG / MEY / GOH / GUM / CHC / COM / ABZ / JAG](#)

Accent Finish: [OPL / MPM / CMP / BKR / WHR / GCL / WWR / WWL / WDA](#)
 Acoustic Finish: [SFW / CYW / SEE / SYN / MTS / PMB / TTN / CYB / STO / DPE / BES / SHB / ARE / ANE / VRD / CRF](#)

Fixture Material: [Acoustic / Aluminum / PMMA](#)

Primary Material: [Acoustic](#)

Cable Details: [2000mm/78 3/4" or 6000mm/236 1/4" Cable, - Transparent](#)

ELECTRICAL

Lamp Type: LED
 Input Wattage (W): 73.1
 Total Output Wattage (W): 66.3
 Dimming: [Non-dimming / DALI Dimming / MATTER Dimming](#)
 Driver Included: No
 Driver Location: Remote
 Driver Class: Class 2
 Input Voltage (V): 120 - 277
 Upon Request: [0 - 10V Dimming / Phase Dimming](#)

LED

Color Temperature (°K): [2700 / 3000 / 3500 / 4000](#)
 Max. Delivered Lumen (lm): Max 10140
 Nominal Lumen (lm): Max 12120
 CRI: >90 CRI
 Lamp Life (hrs): 50000

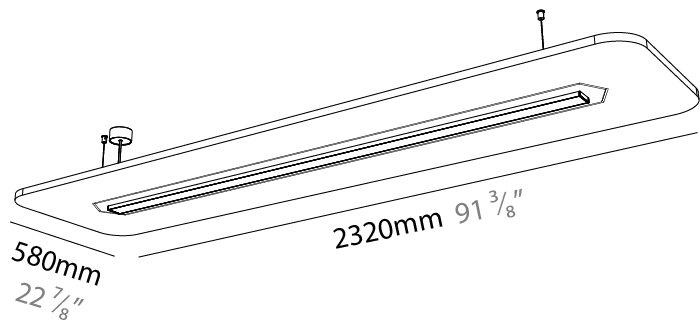
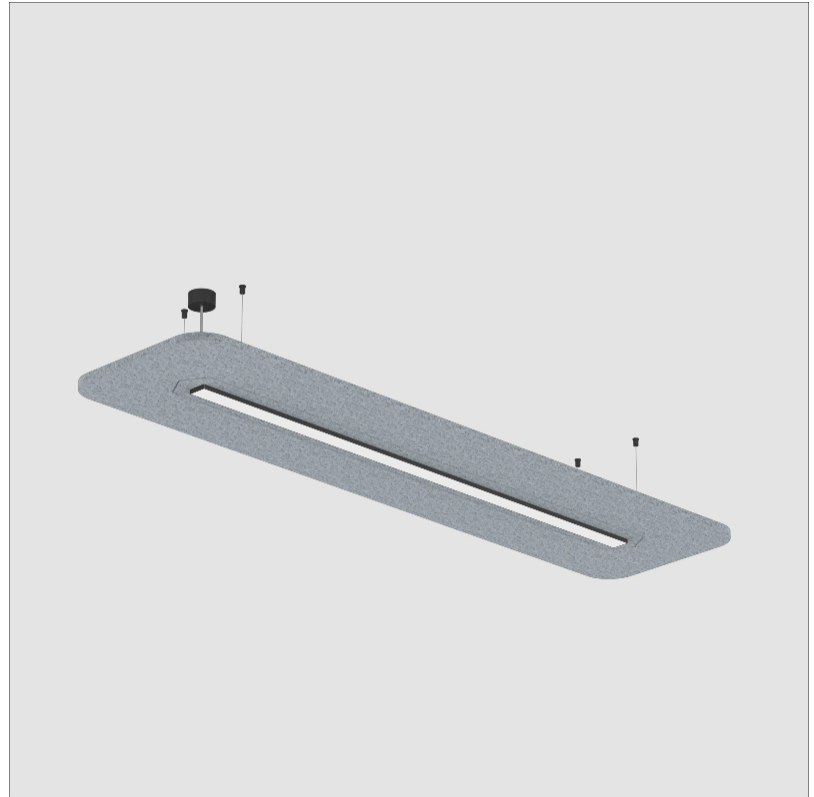
OPTICAL

RATINGS AND CERTIFICATIONS

Certified By: Certified for North American Standards

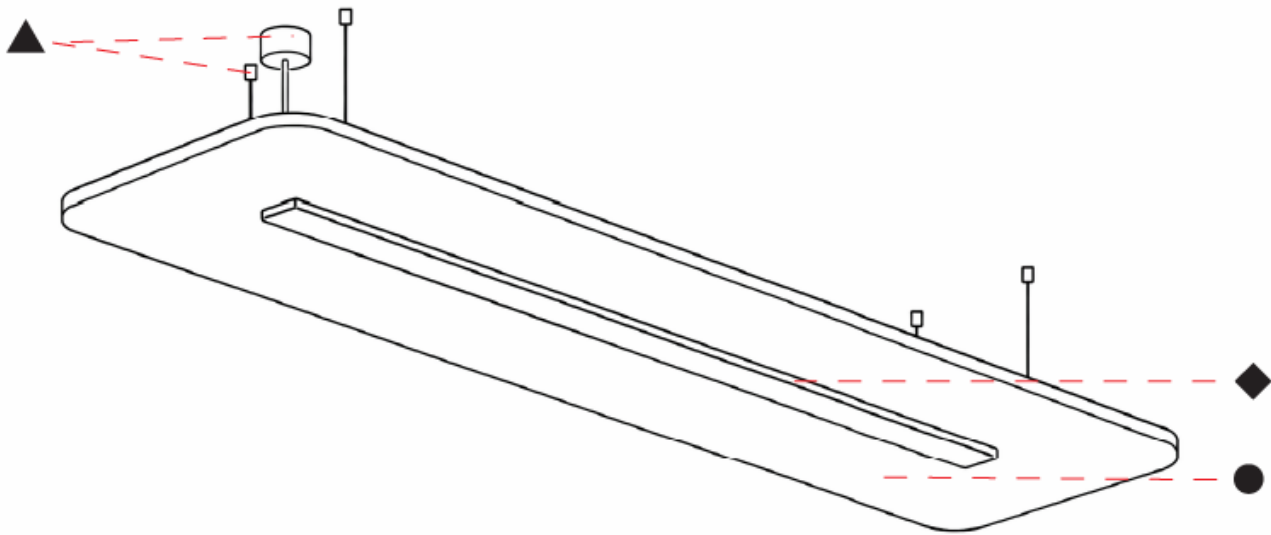
© 2026, T 1800-388-3382, F 416-247-9319, www.zaneen.com

Available for International specifications by adding 'INT' at the end of the existing Model #. For assistance on 'custom' specifications, contact zteam@zaneen.com. In a constant effort to supply the best product, we reserve the right to change specifications or materials without notice. The most recent specification sheets are found at zaneen.com



A3001162-

| | |
|-----------|-------|
| PROJECT | _____ |
| TYPE | _____ |
| SPECIFIER | _____ |
| QUANTITY | _____ |
| DATE | _____ |



A

| | |
|-----------|-------|
| PROJECT | _____ |
| TYPE | _____ |
| SPECIFIER | _____ |
| QUANTITY | _____ |
| DATE | _____ |

SERENII SUSPENSION

A3001163-

| | | | | | | |
|-------------|----------------------|-----------------------|------------------------|---------------------|-----------------|---------------------|
| base number | Color Temperature | Finishes (Diamond) | Finishes (Triangle) | Acoustic Options | Cable Length | Diffuser Options |
|-------------|----------------------|-----------------------|------------------------|---------------------|-----------------|---------------------|

- To build a product code in our configurator select the specify button on the base model # product page
- To build a manual product code on this datasheet choose from the options listed below in blue font and add the suffix to the base model #

GENERAL

Series: Serenii
 Partner: Prolicht
 Division: Architectural
 Installation: Suspension
 Product Type: Acoustic
 Mounting Location: Ceiling
 Light Distribution: Direct

PHYSICAL

Shape: Rectangle
 Length (mm): 2320
 Length (in): 91 ³/₈
 Width (mm): 1060
 Width (in): 41 ³/₄
 Height (mm): 91
 Height (in): 3 ⁹/₁₆
 Max. Overall Height (mm): 2091
 Max. Overall Height (in): 82 ⁷/₁₆
 Weight (kg): 8.3

Diffuser: [PMMA - Opal / Clear / Microprism / Clear Microprism / Wallwash Double Asymmetric / Glare Control / Black Raster / Black Raster / Wallwash Left / Wallwash Right](#)

Fixture Finish: [SSR / BKV / CWI / CRY / HAB / UFT / ITA / RUA / FTG / MYG / LOD / PUS / FRO / FUP / KIA / POP / BLS / SPG / MEY / GOH / CHC / COM / ABZ / JAG / OBR / MOS / ROR](#)

Holder Finish: [SSR / BKV / CWI / CRY / HAB / LAG / UFT / ITA / RUA / RUR / MIC / FTG / MYG / TWT / LOD / PUS / FRO / FUP / KIA / POP / BLS / SPG / MEY / GOH / GUM / CHC / COM / ABZ / JAG](#)

Accent Finish: [OPL / MPM / CMP / BKR / WHR / GCL / WWR / WWL / WDA](#)

Acoustic Finish: [SFW / CYW / SEE / SYN / MTS / PMB / TTN / CYB / STO / DPE / BES / SHB / ARE / ANE / VRD / CRF](#)

Fixture Material: [Acoustic / Aluminum / PMMA](#)

Primary Material: [Acoustic](#)

Cable Details: [2000mm/78 3/4" or 6000mm/236 1/4" Cable, - Transparent](#)

ELECTRICAL

Lamp Type: LED
 Input Wattage (W): 38.7
 Total Output Wattage (W): 35.5
 Dimming: [Non-dimming / DALI Dimming / MATTER Dimming](#)
 Driver Included: No
 Driver Location: Remote
 Driver Class: Class 2
 Input Voltage (V): 120 - 277
 Upon Request: [0 - 10V Dimming / Phase Dimming](#)

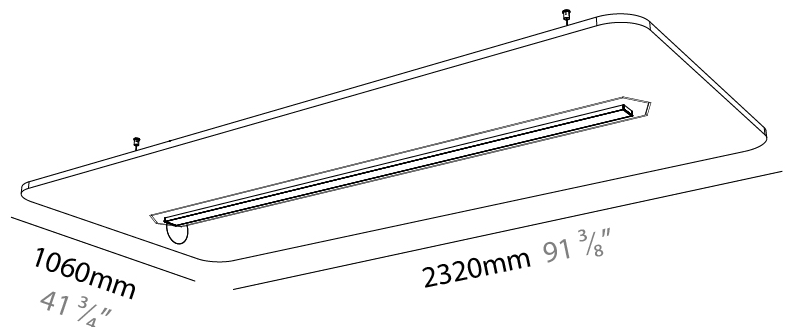
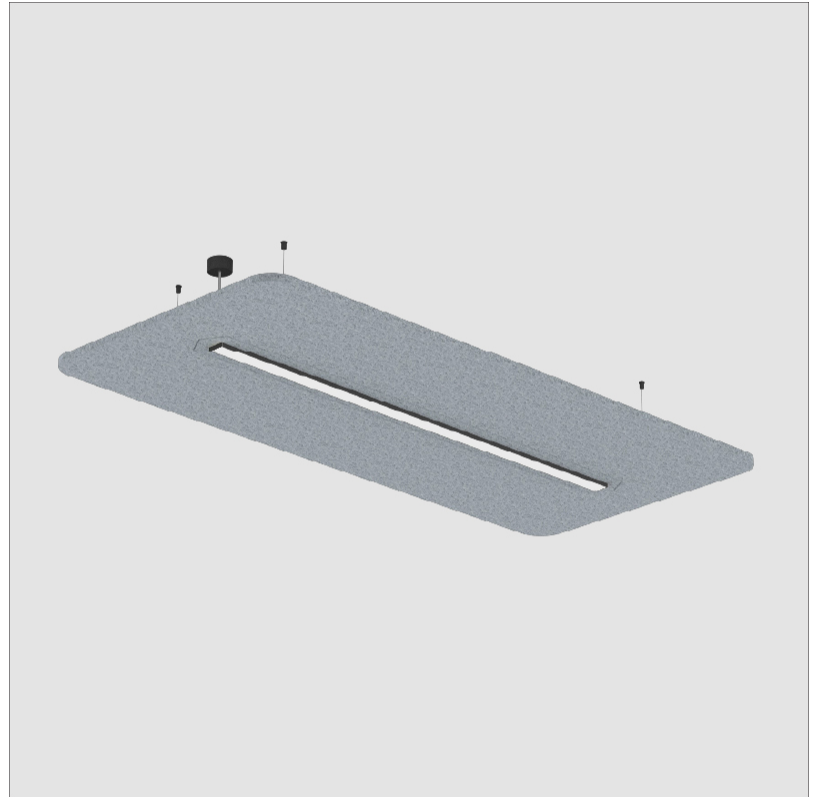
LED

Color Temperature (°K): [2700 / 3000 / 3500 / 4000](#)
 Max. Delivered Lumen (lm): Max 5540
 Nominal Lumen (lm): Max 6420
 CRI: >90 CRI
 Lamp Life (hrs): 50000

OPTICAL

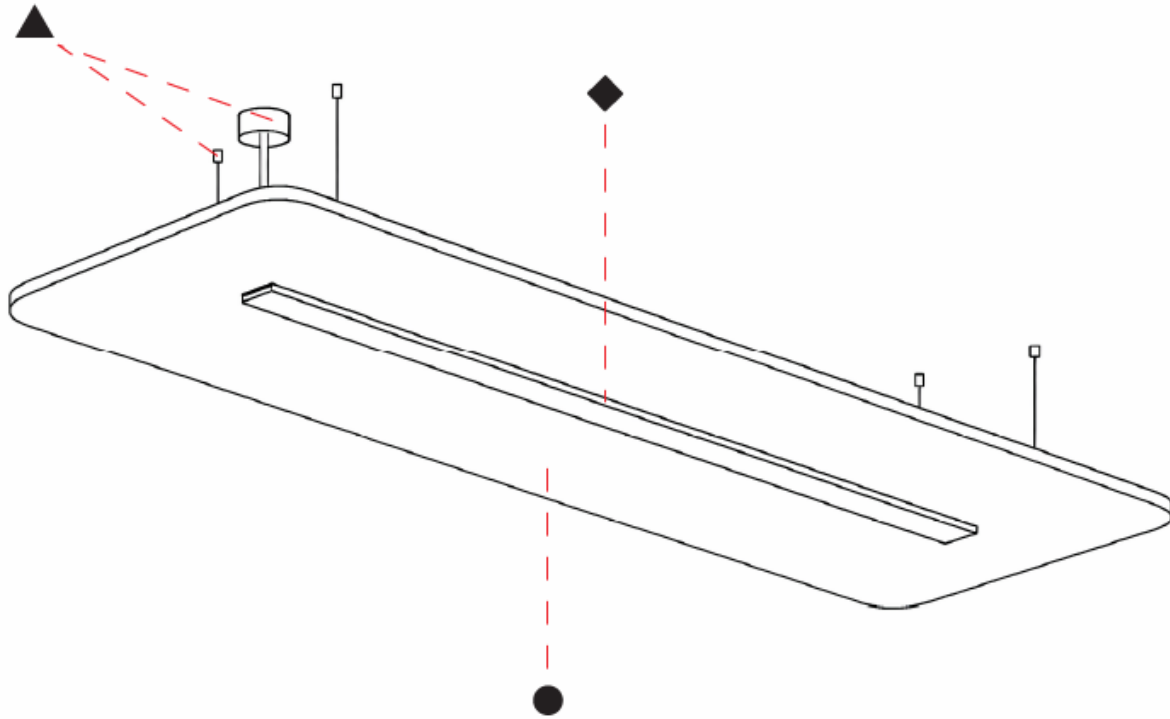
RATINGS AND CERTIFICATIONS

Certified By: Certified for North American Standards
 IP rating: IP20



A3001163-

| |
|-----------|
| PROJECT |
| TYPE |
| SPECIFIER |
| QUANTITY |
| DATE |



A

| |
|-----------|
| PROJECT |
| TYPE |
| SPECIFIER |
| QUANTITY |
| DATE |

SERENII SUSPENSION

A3001164-

| | | | | | | |
|-------------|-------------------|--------------------|---------------------|------------------|--------------|------------------|
| base number | Color Temperature | Finishes (Diamond) | Finishes (Triangle) | Acoustic Options | Cable Length | Diffuser Options |
|-------------|-------------------|--------------------|---------------------|------------------|--------------|------------------|

- To build a product code in our configurator select the specify button on the base model # product page
- To build a manual product code on this datasheet choose from the options listed below in blue font and add the suffix to the base model #

GENERAL

Series: Serenii
 Partner: Prolicht
 Division: Architectural
 Installation: Suspension
 Product Type: Acoustic
 Mounting Location: Ceiling
 Light Distribution: Direct / Indirect

PHYSICAL

Shape: Rectangle
 Length (mm): 2320
 Length (in): 91 ³/₈
 Width (mm): 1060
 Width (in): 41 ³/₄
 Height (mm): 91
 Height (in): 3 ⁹/₁₆
 Max. Overall Height (mm): 2091
 Max. Overall Height (in): 82 ⁷/₁₆
 Weight (kg): 6.2
 Weight (lbs): 13.67

Diffuser: [PMMA - Opal / Clear / Microprism / Clear Microprism / Wallwash Double Asymmetric / Glare Control / Black Raster / Black Raster / Wallwash Left / Wallwash Right](#)

Fixture Finish: [SSR / BKV / CWI / CRY / HAB / UFT / ITA / RUA / FTG / MYG / LOD / PUS / FRO / FUP / KIA / POP / BLS / SPG / MEY / GOH / CHC / COM / ABZ / JAG / OBR / MOS / ROR](#)

Holder Finish: [SSR / BKV / CWI / CRY / HAB / LAG / UFT / ITA / RUA / RUR / MIC / FTG / MYG / TWT / LOD / PUS / FRO / FUP / KIA / POP / BLS / SPG / MEY / GOH / GUM / CHC / COM / ABZ / JAG](#)

Accent Finish: [OPL / MPM / CMP / BKR / WHR / GCL / WWR / WWL / WDA](#)

Acoustic Finish: [SFW / CYW / SEE / SYN / MTS / PMB / TTN / CYB / STO / DPE / BES / SHB / ARE / ANE / VRD / CRF](#)

Fixture Material: [Acoustic / Aluminum / PMMA](#)

Primary Material: [Acoustic](#)

Cable Details: [2000mm/78 3/4" or 6000mm/236 1/4" Cable, - Transparent](#)

ELECTRICAL

Lamp Type: LED
 Input Wattage (W): 73.1
 Total Output Wattage (W): 66.3
 Dimming: [Non-dimming / DALI Dimming / MATTER Dimming](#)
 Driver Included: No
 Driver Location: Remote
 Driver Class: Class 2
 Input Voltage (V): 120 - 277
 Upon Request: [0 - 10V Dimming / Phase Dimming](#)

LED

Color Temperature (°K): [2700 / 3000 / 3500 / 4000](#)
 Max. Delivered Lumen (lm): Max 10140
 Nominal Lumen (lm): Max 12120
 CRI: >90 CRI
 Lamp Life (hrs): 50000

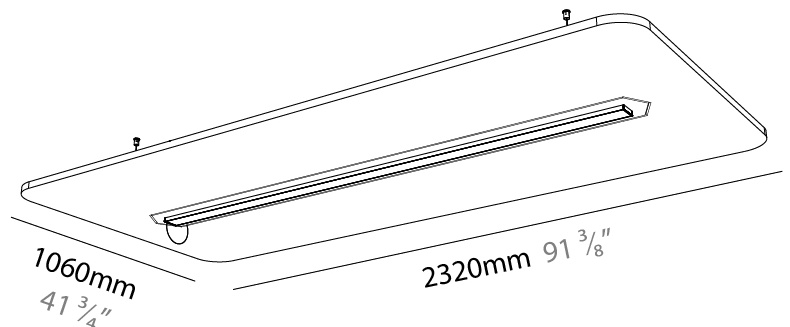
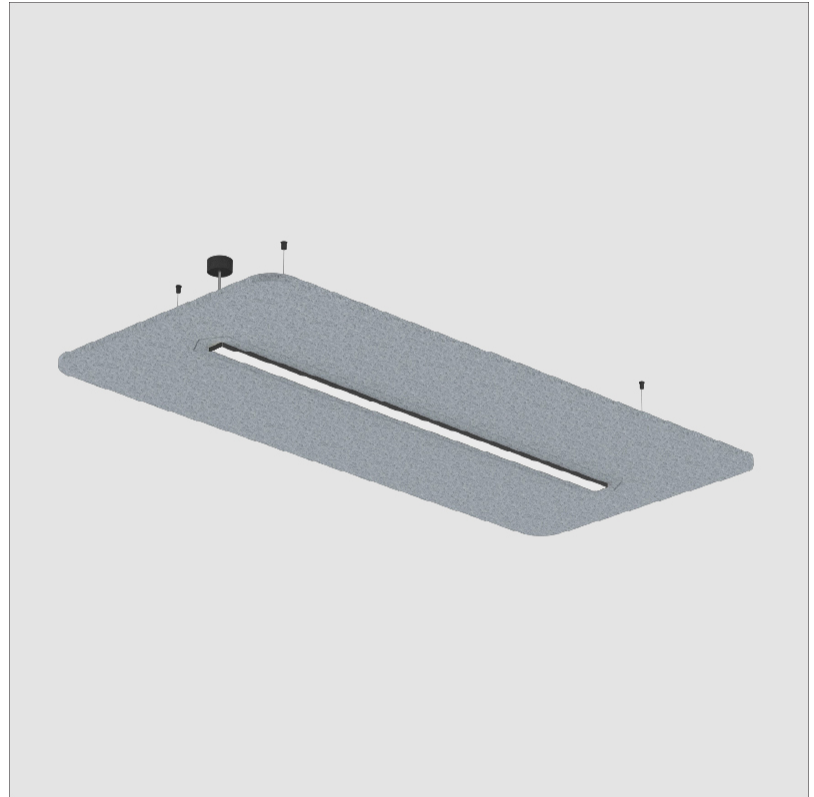
OPTICAL

RATINGS AND CERTIFICATIONS

Certified By: Certified for North American Standards

© 2026, T 1800-388-3382, F 416-247-9319, www.zaneen.com

Available for International specifications by adding 'INT' at the end of the existing Model #. For assistance on 'custom' specifications, contact zteam@zaneen.com. In a constant effort to supply the best product, we reserve the right to change specifications or materials without notice. The most recent specification sheets are found at zaneen.com



A3001164-

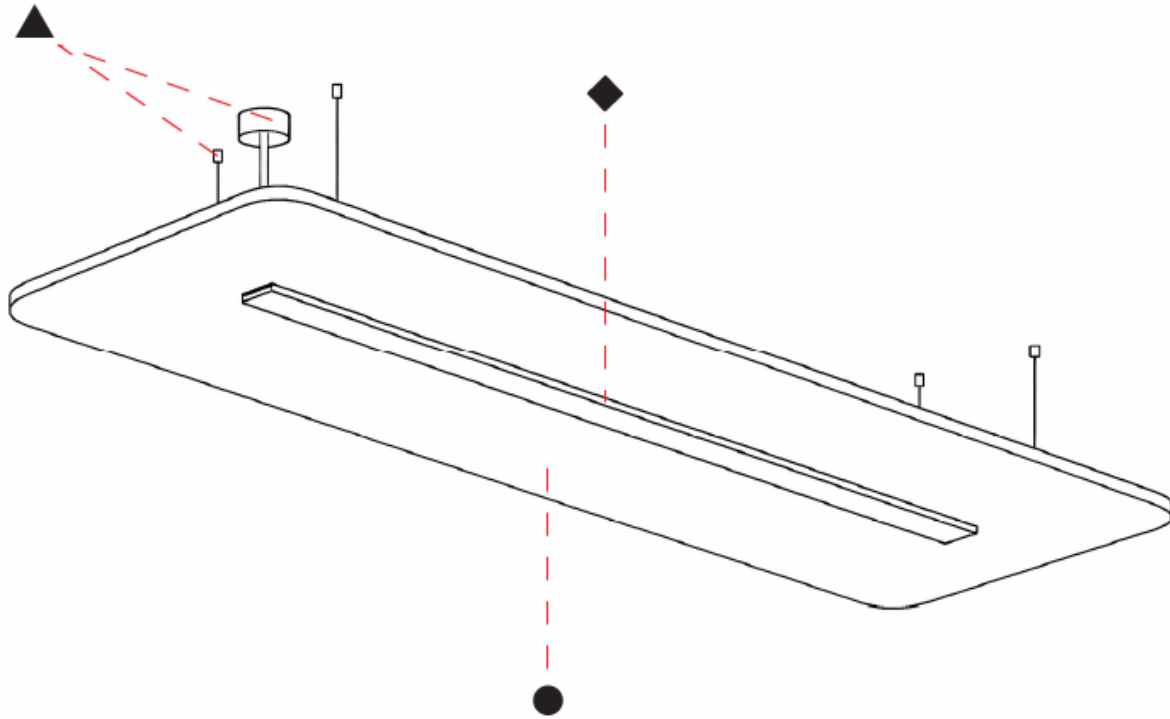
PROJECT _____

TYPE _____

SPECIFIER _____

QUANTITY _____

DATE _____



A

SERENII SUSPENSION

A3001171-

| | | | | | | |
|-------------|-------------------|--------------------|---------------------|------------------|--------------|------------------|
| base number | Color Temperature | Finishes (Diamond) | Finishes (Triangle) | Acoustic Options | Cable Length | Diffuser Options |
|-------------|-------------------|--------------------|---------------------|------------------|--------------|------------------|

- To build a product code in our configurator select the specify button on the base model # product page
- To build a manual product code on this datasheet choose from the options listed below in blue font and add the suffix to the base model #

GENERAL

Series: Serenii
 Partner: Prolicht
 Division: Architectural
 Installation: Suspension
 Product Type: Acoustic
 Mounting Location: Ceiling
 Light Distribution: Direct

PHYSICAL

Shape: Rectangle
 Length (mm): 2320
 Length (in): 91 ³/₈
 Width (mm): 580
 Width (in): 22 ⁷/₈
 Height (mm): 91
 Height (in): 3 ⁹/₁₆
 Max. Overall Height (mm): 2091
 Max. Overall Height (in): 82 ⁷/₁₆
 Weight (kg): 8.3
 Weight (lbs): 18.30

Diffuser: [PMMA - Opal / Clear / Microprism / Clear Microprism / Wallwash Double Asymmetric / Glare Control / Black Raster / Black Raster / Wallwash Left / Wallwash Right](#)

Fixture Finish: [SSR / BKV / CWI / CRY / HAB / UFT / ITA / RUA / FTG / MYG / LOD / PUS / FRO / FUP / KIA / POP / BLS / SPG / MEY / GOH / CHC / COM / ABZ / JAG / OBR / MOS / ROR](#)

Holder Finish: [SSR / BKV / CWI / CRY / HAB / LAG / UFT / ITA / RUA / RUR / MIC / FTG / MYG / TWT / LOD / PUS / FRO / FUP / KIA / POP / BLS / SPG / MEY / GOH / GUM / CHC / COM / ABZ / JAG](#)

Accent Finish: [OPL / MPM / CMP / BKR / WHR / GCL / WWR / WWL / WDA](#)

Acoustic Finish: [SFW / CYW / SEE / SYN / MTS / PMB / TTN / CYB / STO / DPE / BES / SHB / ARE / ANE / VRD / CRF](#)

Fixture Material: [Acoustic / Aluminum / PMMA](#)

Primary Material: [Acoustic](#)

Cable Details: [2000mm/78 3/4" or 6000mm/236 1/4" Cable, - Transparent](#)

ELECTRICAL

Lamp Type: LED
 Input Wattage (W): 38.7
 Total Output Wattage (W): 35.5
 Dimming: [Non-dimming / DALI Dimming / MATTER Dimming](#)
 Driver Included: No
 Driver Location: Remote
 Driver Class: Class 2
 Input Voltage (V): 120 - 277
 Upon Request: [0 - 10V Dimming / Phase Dimming](#)

LED

Color Temperature (°K): [2700 / 3000 / 3500 / 4000](#)
 Max. Delivered Lumen (lm): Max 5540
 Nominal Lumen (lm): Max 6420
 CRI: >90 CRI
 Lamp Life (hrs): 50000

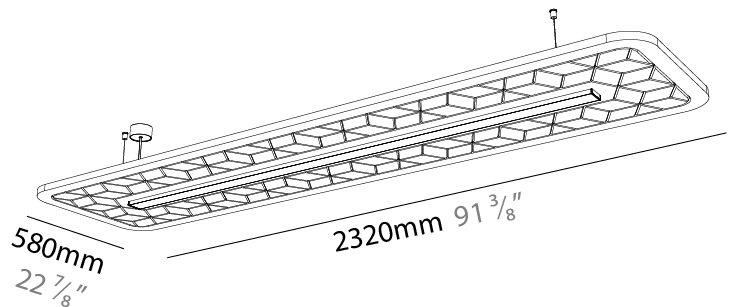
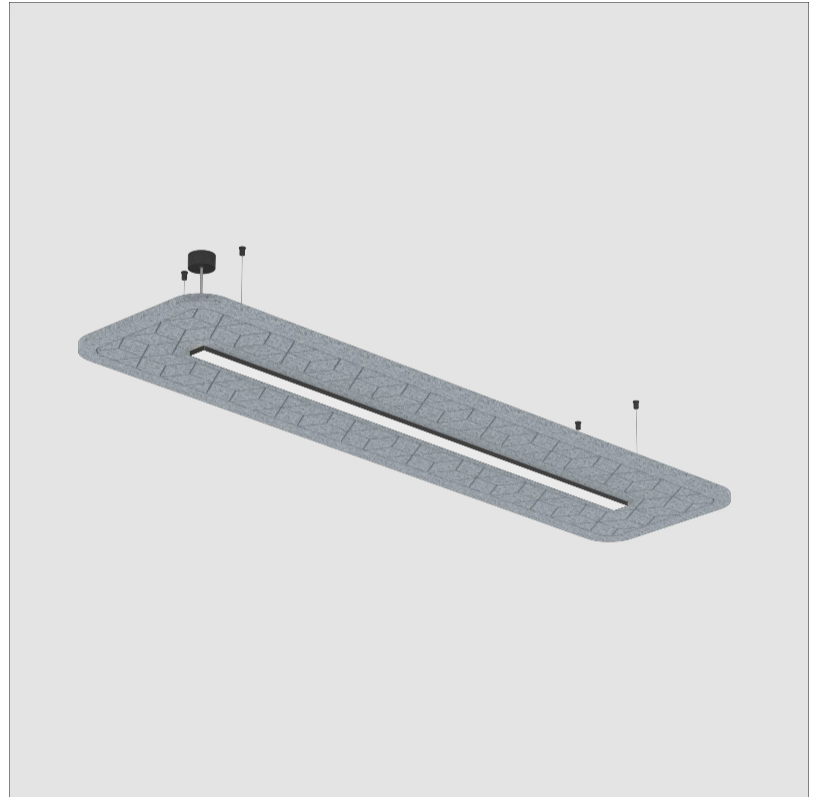
OPTICAL

RATINGS AND CERTIFICATIONS

Certified By: Certified for North American Standards

IP Rating: [IP20](#) © 2026, T 1800-388-3382, F 416-247-9319, www.zaneen.com

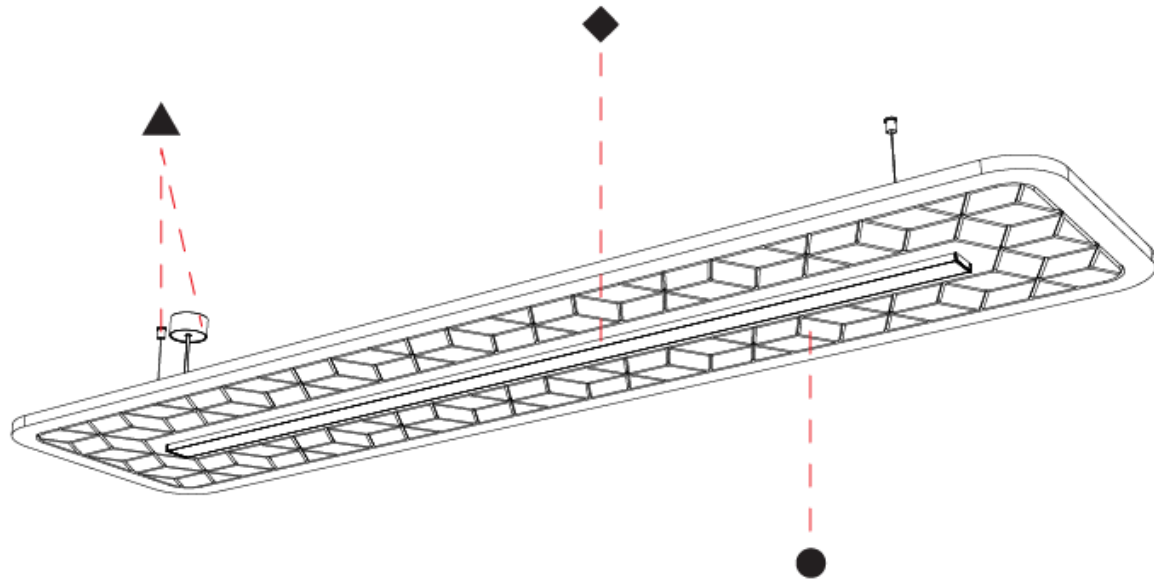
Available for International specifications by adding 'INT' at the end of the existing Model #. For assistance on 'custom' specifications, contact zteam@zaneen.com. In a constant effort to supply the best product, we reserve the right to change specifications or materials without notice. The most recent specification sheets are found at zaneen.com



SERENII SUSPENSION

A3001171-

| | |
|-----------|-------|
| PROJECT | _____ |
| TYPE | _____ |
| SPECIFIER | _____ |
| QUANTITY | _____ |
| DATE | _____ |



A

| | |
|-----------|-------|
| PROJECT | _____ |
| TYPE | _____ |
| SPECIFIER | _____ |
| QUANTITY | _____ |
| DATE | _____ |

SERENII SUSPENSION

A3001172-

| | | | | | | |
|-------------|-------------------|--------------------|---------------------|------------------|--------------|------------------|
| base number | Color Temperature | Finishes (Diamond) | Finishes (Triangle) | Acoustic Options | Cable Length | Diffuser Options |
|-------------|-------------------|--------------------|---------------------|------------------|--------------|------------------|

- To build a product code in our configurator select the specify button on the base model # product page
- To build a manual product code on this datasheet choose from the options listed below in blue font and add the suffix to the base model #

GENERAL

Series: Serenii
 Partner: Prolicht
 Division: Architectural
 Installation: Suspension
 Product Type: Acoustic
 Mounting Location: Ceiling
 Light Distribution: Direct / Indirect

PHYSICAL

Shape: Rectangle
 Length (mm): 2320
 Length (in): 91 ³/₈
 Width (mm): 580
 Width (in): 22 ⁷/₈
 Height (mm): 91
 Height (in): 3 ⁹/₁₆
 Max. Overall Height (mm): 2091
 Max. Overall Height (in): 82 ⁷/₁₆
 Weight (kg): 6.2

Diffuser: [PMMA - Opal / Clear / Microprism / Clear Microprism / Wallwash Double Asymmetric / Glare Control / Black Raster / Black Raster / Wallwash Left / Wallwash Right](#)

Fixture Finish: [SSR / BKV / CWI / CRY / HAB / UFT / ITA / RUA / FTG / MYG / LOD / PUS / FRO / FUP / KIA / POP / BLS / SPG / MEY / GOH / CHC / COM / ABZ / JAG / OBR / MOS / ROR](#)

Holder Finish: [SSR / BKV / CWI / CRY / HAB / LAG / UFT / ITA / RUA / RUR / MIC / FTG / MYG / TWT / LOD / PUS / FRO / FUP / KIA / POP / BLS / SPG / MEY / GOH / GUM / CHC / COM / ABZ / JAG](#)

Accent Finish: [OPL / MPM / CMP / BKR / WHR / GCL / WWR / WWL / WDA](#)

Acoustic Finish: [SFW / CYW / SEE / SYN / MTS / PMB / TTN / CYB / STO / DPE / BES / SHB / ARE / ANE / VRD / CRF](#)

Fixture Material: [Acoustic / Aluminum / PMMA](#)

Primary Material: [Acoustic](#)

Cable Details: [2000mm/78 3/4" or 6000mm/236 1/4" Cable, - Transparent](#)

ELECTRICAL

Lamp Type: LED
 Input Wattage (W): 73.1
 Total Output Wattage (W): 66.3
 Dimming: [Non-dimming / DALI Dimming / MATTER Dimming](#)
 Driver Included: No
 Driver Location: Remote
 Driver Class: Class 2
 Input Voltage (V): 120 - 277
 Upon Request: [0 - 10V Dimming / Phase Dimming](#)

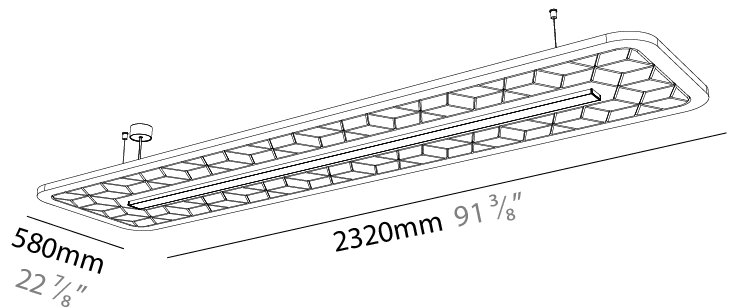
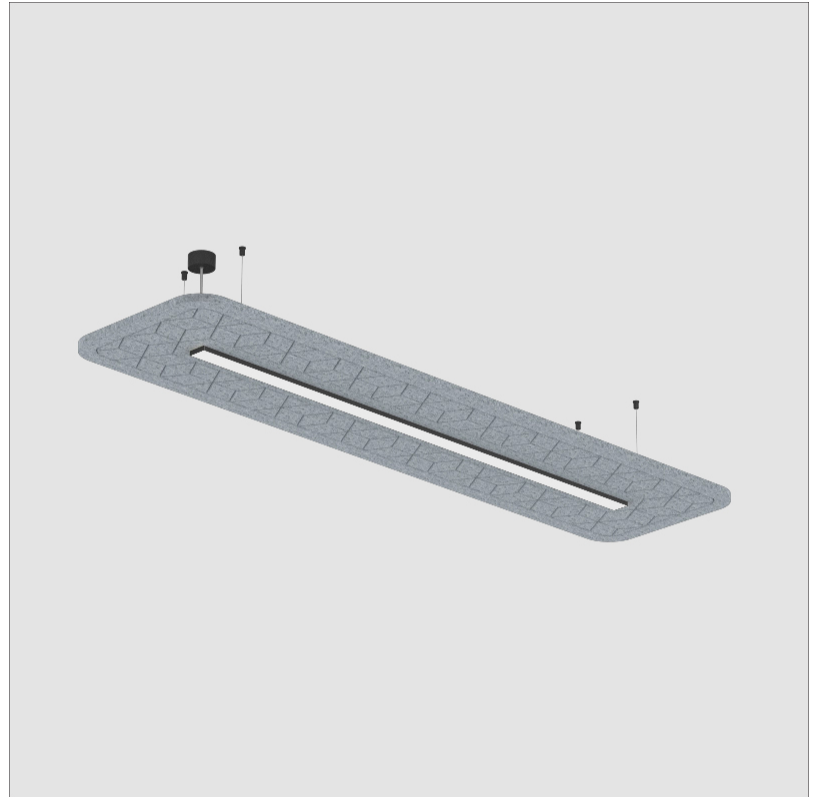
LED

Color Temperature (°K): [2700 / 3000 / 3500 / 4000](#)
 Max. Delivered Lumen (lm): Max 10140
 Nominal Lumen (lm): Max 12120
 CRI: >90 CRI
 Lamp Life (hrs): 50000

OPTICAL

RATINGS AND CERTIFICATIONS

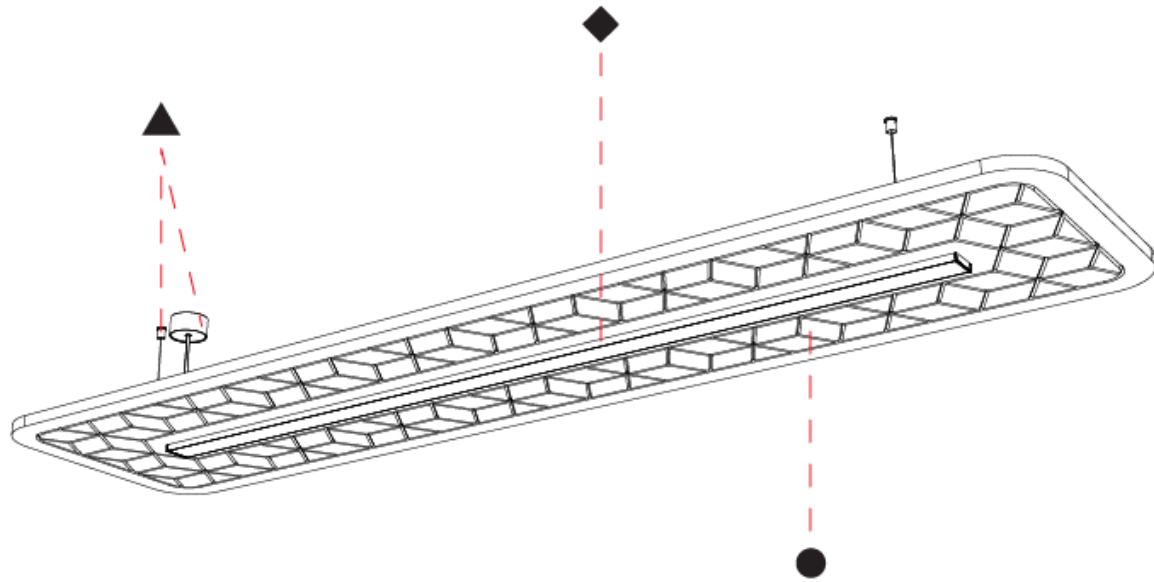
Certified By: Certified for North American Standards
 IP rating: IP20



SERENII SUSPENSION

A3001172-

| | |
|-----------|-------|
| PROJECT | _____ |
| TYPE | _____ |
| SPECIFIER | _____ |
| QUANTITY | _____ |
| DATE | _____ |



A

SERENII SUSPENSION

A3001173-

base number Color Temperature Finishes (Diamond) Finishes (Triangle) Acoustic Options Cable Length Diffuser Options

1. To build a product code in our configurator select the specify button on the base model # product page
2. To build a manual product code on this datasheet choose from the options listed below in blue font and add the suffix to the base model #

GENERAL

Series: Serenii
 Partner: Prolicht
 Division: Architectural
 Installation: Suspension
 Product Type: Acoustic
 Mounting Location: Ceiling
 Light Distribution: Direct

PHYSICAL

Shape: Rectangle
 Length (mm): 2320
 Length (in): 91 ³/₈
 Width (mm): 1060
 Width (in): 41 ³/₄
 Height (mm): 91
 Height (in): 3 ⁹/₁₆
 Max. Overall Height (mm): 2091
 Max. Overall Height (in): 82 ⁷/₁₆
 Weight (kg): 8.3
 Weight (lbs): 18.30

Diffuser: [PMMA - Opal / Clear / Microprism / Clear Microprism / Wallwash Double Asymmetric / Glare Control / Black Raster / Black Raster / Wallwash Left / Wallwash Right](#)

Fixture Finish: [SSR / BKV / CWI / CRY / HAB / UFT / ITA / RUA / FTG / MYG / LOD / PUS / FRO / FUP / KIA / POP / BLS / SPG / MEY / GOH / CHC / COM / ABZ / JAG / OBR / MOS / ROR](#)

Holder Finish: [SSR / BKV / CWI / CRY / HAB / LAG / UFT / ITA / RUA / RUR / MIC / FTG / MYG / TWT / LOD / PUS / FRO / FUP / KIA / POP / BLS / SPG / MEY / GOH / GUM / CHC / COM / ABZ / JAG](#)

Accent Finish: [OPL / MPM / CMP / BKR / WHR / GCL / WWR / WWL / WDA](#)

Acoustic Finish: [SFW / CYW / SEE / SYN / MTS / PMB / TTN / CYB / STO / DPE / BES / SHB / ARE / ANE / VRD / CRF](#)

Fixture Material: [Acoustic / Aluminum / PMMA](#)

Primary Material: [Acoustic](#)

Cable Details: [2000mm/78 3/4" or 6000mm/236 1/4" Cable, - Transparent](#)

ELECTRICAL

Lamp Type: LED
 Input Wattage (W): 38.7
 Total Output Wattage (W): 35.5
 Dimming: [Non-dimming / DALI Dimming / MATTER Dimming](#)
 Driver Included: No
 Driver Location: Remote
 Driver Class: Class 2
 Input Voltage (V): 120 - 277
 Upon Request: [0 - 10V Dimming / Phase Dimming](#)

LED

Color Temperature (°K): [2700 / 3000 / 3500 / 4000](#)
 Max. Delivered Lumen (lm): Max 5540
 Nominal Lumen (lm): Max 6420
 CRI: >90 CRI
 Lamp Life (hrs): 50000

OPTICAL

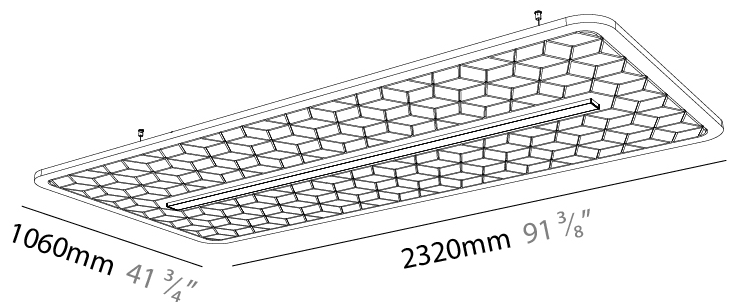
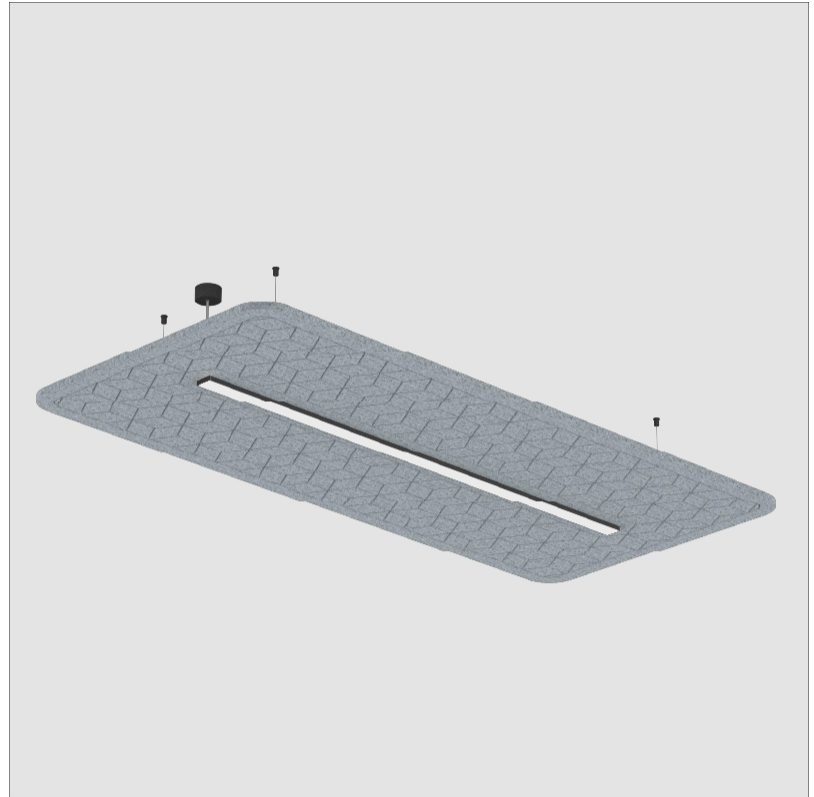
RATINGS AND CERTIFICATIONS

Certified By: Certified for North American Standards

IP Rating: [IP20](#) © 2026, T 1800-388-3382, F 416-247-9319, www.zaneen.com

Available for International specifications by adding 'INT' at the end of the existing Model #. For assistance on 'custom' specifications, contact zteam@zaneen.com. In a constant effort to supply the best product, we reserve the right to change specifications or materials without notice. The most recent specification sheets are found at zaneen.com

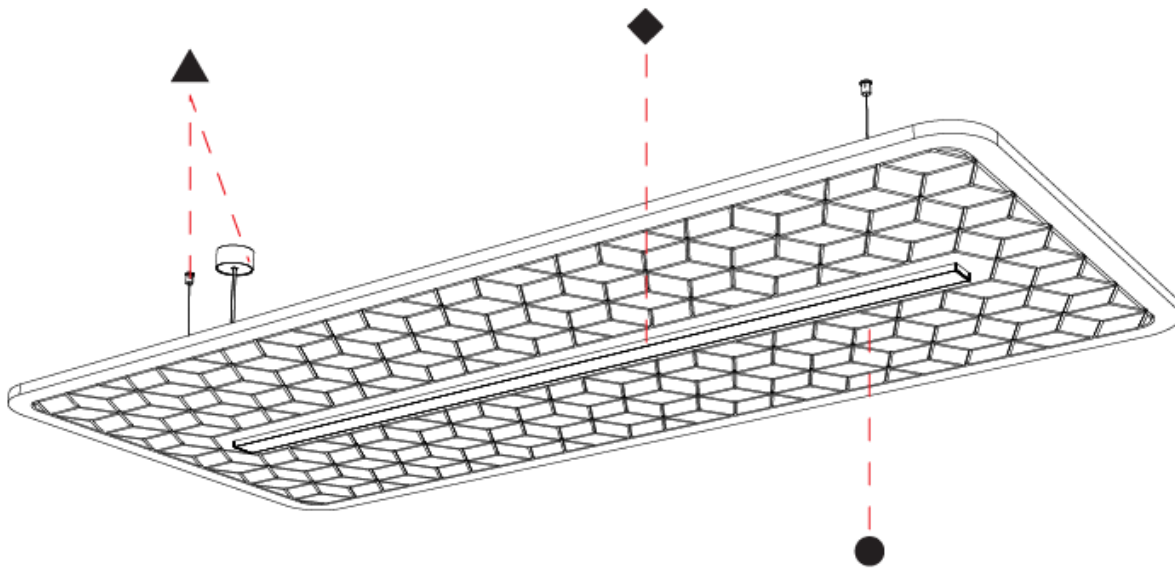
| |
|-----------|
| PROJECT |
| TYPE |
| SPECIFIER |
| QUANTITY |
| DATE |



SERENII SUSPENSION

A3001173-

| | |
|-----------|-------|
| PROJECT | _____ |
| TYPE | _____ |
| SPECIFIER | _____ |
| QUANTITY | _____ |
| DATE | _____ |



A

SERENII SUSPENSION

A3001174-

base number Color Finishes Finishes Acoustic Cable Diffuser
 Temperature (Diamond) (Triangle) Options Length Options

1. To build a product code in our configurator select the specify button on the base model # product page
2. To build a manual product code on this datasheet choose from the options listed below in blue font and add the suffix to the base model #

GENERAL

Series: Serenii
 Partner: Prolicht
 Division: Architectural
 Installation: Suspension
 Product Type: Acoustic
 Mounting Location: Ceiling
 Light Distribution: Direct / Indirect

PHYSICAL

Shape: Rectangle
 Length (mm): 2320
 Length (in): 91 ³/₈
 Width (mm): 1060
 Width (in): 41 ³/₄
 Height (mm): 91
 Height (in): 3 ⁹/₁₆
 Max. Overall Height (mm): 2091
 Max. Overall Height (in): 82 ⁷/₁₆
 Weight (kg): 6.2
 Weight (lbs): 13.67

Diffuser: [PMMA - Opal / Clear / Microprism / Clear Microprism / Wallwash Double Asymmetric / Glare Control / Black Raster / Black Raster / Wallwash Left / Wallwash Right](#)

Fixture Finish: [SSR / BKV / CWI / CRY / HAB / UFT / ITA / RUA / FTG / MYG / LOD / PUS / FRO / FUP / KIA / POP / BLS / SPG / MEY / GOH / CHC / COM / ABZ / JAG / OBR / MOS / ROR](#)

Holder Finish: [SSR / BKV / CWI / CRY / HAB / LAG / UFT / ITA / RUA / RUR / MIC / FTG / MYG / TWT / LOD / PUS / FRO / FUP / KIA / POP / BLS / SPG / MEY / GOH / GUM / CHC / COM / ABZ / JAG](#)

Accent Finish: [OPL / MPM / CMP / BKR / WHR / GCL / WWR / WWL / WDA](#)

Acoustic Finish: [SFW / CYW / SEE / SYN / MTS / PMB / TTN / CYB / STO / DPE / BES / SHB / ARE / ANE / VRD / CRF](#)

Fixture Material: [Acoustic / Aluminum / PMMA](#)

Primary Material: [Acoustic](#)

Cable Details: [2000mm/78 3/4" or 6000mm/236 1/4" Cable, - Transparent](#)

ELECTRICAL

Lamp Type: LED
 Input Wattage (W): 73.1
 Total Output Wattage (W): 66.3
 Dimming: [Non-dimming / DALI Dimming / MATTER Dimming](#)
 Driver Included: No
 Driver Location: Remote
 Driver Class: Class 2
 Input Voltage (V): 120 - 277
 Upon Request: [0 - 10V Dimming / Phase Dimming](#)

LED

Color Temperature (°K): [2700 / 3000 / 3500 / 4000](#)
 Max. Delivered Lumen (lm): Max 10140
 Nominal Lumen (lm): Max 12120
 CRI: >90 CRI
 Lamp Life (hrs): 50000

OPTICAL

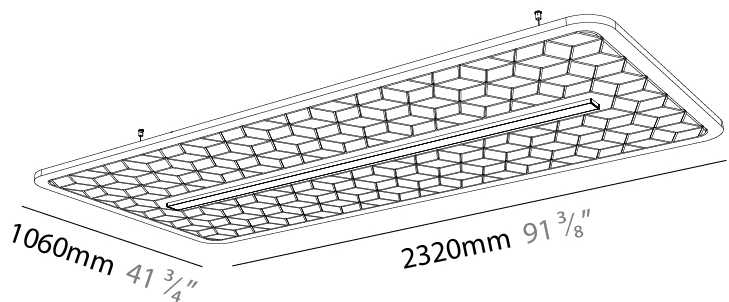
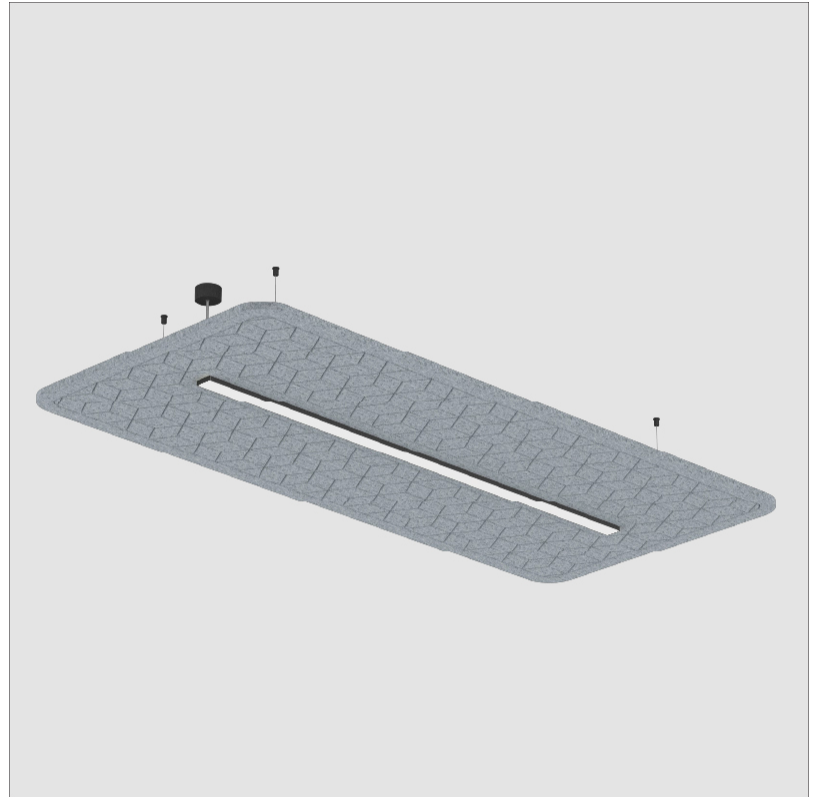
RATINGS AND CERTIFICATIONS

Certified By: Certified for North American Standards

IP Rating: [IP20](#) © 2026, T 1800-388-3382, F 416-247-9319, www.zaneen.com

Available for International specifications by adding 'INT' at the end of the existing Model #. For assistance on 'custom' specifications, contact zteam@zaneen.com. In a constant effort to supply the best product, we reserve the right to change specifications or materials without notice. The most recent specification sheets are found at zaneen.com

| |
|-----------|
| PROJECT |
| TYPE |
| SPECIFIER |
| QUANTITY |
| DATE |



SERENII SUSPENSION

A3001174-

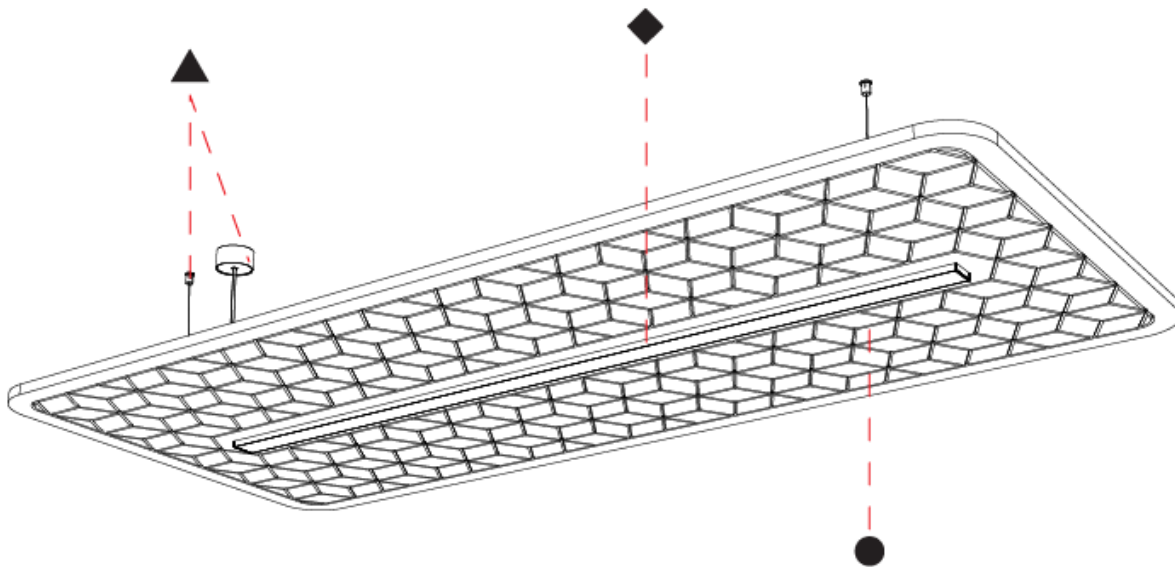
PROJECT

TYPE

SPECIFIER

QUANTITY

DATE



A

PROJECT _____
 TYPE _____
 SPECIFIER _____
 QUANTITY _____
 DATE _____

Fixture Finish



Holder Finish



PROJECT

TYPE

SPECIFIER

QUANTITY

DATE

Accent Finish

Digital: Not all screens are calibrated the same, and therefore, colors will appear differently between screens.

Physical: When texture is involved, there will be variations in color, character and tone within a product series and between product families.

Champagne Cream, Copper Mine, Ancient Bronze + Jazz Gold: These finishes have slight fading from specific powder coating production. Each luminaire will slightly vary.



SERENII SUSPENSION COLOR FINISH CHART

PROJECT _____

TYPE _____

SPECIFIER _____

QUANTITY _____

DATE _____

Acoustic Finish

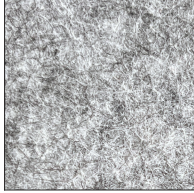
Snowfall White - 44 (SFW)



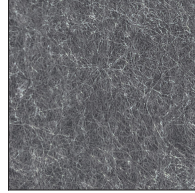
Creamy White - 97 (CYW)



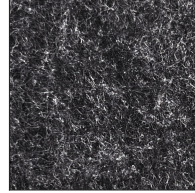
Stone Echo - 83 (SEE)



Smoky Iron - 50 (SYN)



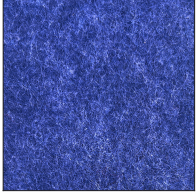
Midnight Stone - 51 (MTS)



Phantom Black - 71 (PMB)



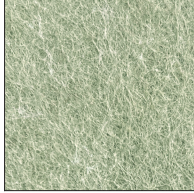
Twilight Navy - 69 (TTN)



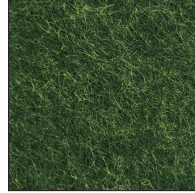
Cloudy Blue - 73 (CYB)



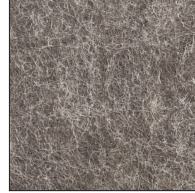
Soft Olive - 82 (STO)



Deep Evergreen - 91 (DPE)



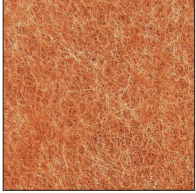
Bronze Shadow - 87 (BES)



Savannah Brown - 42 (SHB)



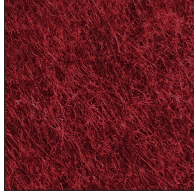
Amber Earth - 55 (ARE)



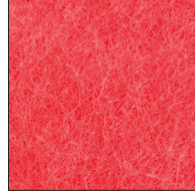
Autumn Ember - 90 (ANE)



Vintage Red - 99 (VRD)



Coral Reef - 98 (CRF)



LEGEND

| | | | | | |
|--|---|--|--|--|--|
| | floor-mounted | | pivotal | | special LED (upon request) RGB, RGBW, tunable, gold+, meat+, art+, fashion+ |
| | wall and ceiling: recessed and surface mounted | | rotating | | warm dim / natural dimming LED |
| | ceiling-mounted and wall-mounted | | illuminate tilted | | rechargeable battery powered |
| | wall-mounted | | color of suspension cable | | fixture with natural vivid LED (upon request) |
| | omni-directional light distribution | | length of suspension cable | | color rendering index |
| | direct light distribution | | reflector degree selection | | color temperature |
| | direct/indirect light distribution | | super spot | | lumen (luminous flux) |
| | indirect light distribution | | lens | | efficacy (lumens per watt) |
| | asymmetric light distribution | | lens pack | | Unified Glare Rating (UGR) range from 5-40 |
| | aura light distribution | | shine ring | | marine grade (AISI 316 stainless steel) |
| | round wall or ceiling cut-out | | integrated shine ring with diffuser | | walk on |
| | square wall or ceiling cut-out | | free individual colors 01-29 | | drive on |
| | the supplied jig specifies the cutout dimensions | | individual colors: 00 (free of charge), 01-25 (extra charge) | | Dark Sky Compliance |
| | minimum distance (meters) lamp - object | | luminaire part to be colored (F1) | | Americans with Disabilities Act (less than 4" off the wall located between 27"-84" from floor) |
| | recessed depth | | luminaire part to be colored (F2) | | lamp protected against explosion |
| | ceiling thickness in mm | | luminaire part to be colored (F3) | | blown glass using traditional methods by master glass blower |
| | ceiling thickness selection | | luminaire part to be colored (F4) | | acoustic material |
| | dimmable DP (phase), DV (0-10V), DD (dali), DS (step-dim) | | luminaire part to be colored (F5) | | protection class I, protection insulation |
| | included or excluded LED driver/transformer/control gear | | color of 3-circuit adaptor | | protection class II, protection insulation |
| | separately switchable | | indirect diffuser | | ETL Certified to UL and CSA Standards |
| | sensor | | direct diffuser | | UL Certified to UL and CSA Standards |
| | remote control | | ball-proof (upon request) | | CSA Certified to UL and CSA Standards |
| | available upon request | | accessory | | Certified for North American Standards |

IP RATING

| | |
|--|--|
| | protected against ingress of solid bodies greater than 12.5mm (finger) |
| | protected against ingress of solid bodies greater than 2.5mm protected against sprays of water up to 60 degrees from the vertical (rain) |
| | protected against ingress of solid bodies greater than 1mm (wire) no protection against the ingress of moisture |
| | protected against ingress of solid bodies greater than 1mm (wire) protected against sprays of water up to 60 degrees from the vertical (rain) |
| | protected against ingress of solid bodies greater than 1mm (wire) protected against water splashed from all directions |
| | protected against limited ingress of dust (wet rooms/covered outdoor areas) protected against water splashed from all directions |
| | protected against ingress of dust protected against jets of water |
| | protected against ingress of dust protected against powerful jets of water or heavy seas |
| | protected against ingress of dust protected against immersion of water between 15cm - 1m for 30 minutes |
| | protected against ingress of dust protected against immersion of water under pressure for long periods |

IK RATING

| | |
|--|---|
| | protected against 0.14 joules impact (equivalent to 0.25kg mass dropped from 56mm above the surface) |
| | protected against 0.2 joules impact (equivalent to 0.25kg mass dropped from 80mm above the surface) |
| | protected against 0.35 joules impact (equivalent to 0.25kg mass dropped from 140mm above the surface) |
| | protected against 0.5 joules impact (equivalent to 0.25kg mass dropped from 200mm above the surface) |
| | protected against 0.7 joules impact (equivalent to 0.25kg mass dropped from 280mm above the surface) |
| | protected against 1 joules impact (equivalent to 0.25kg mass dropped from 400mm above the surface) |
| | protected against 2 joules impact (equivalent to 0.5kg mass dropped from 400mm above the surface) |
| | protected against 5 joules impact (equivalent to 1.7kg mass dropped from 300mm above the surface) |
| | protected against 10 joules impact (equivalent to 5.0kg mass dropped from 200mm above the surface) |
| | protected against 20 joules impact (equivalent to 5.0kg mass dropped from 400mm above the surface) |