

## SERENII SUSPENSION

### A3001155-

base number      Color      Finishes      Finishes      Acoustic      Cable      Diffuser  
 Temperature      (Diamond)      (Triangle)      Options      Length      Options

- To build a product code in our configurator select the specify button on the base model # product page
- To build a manual product code on this datasheet choose from the options listed below in blue font and add the suffix to the base model #

#### GENERAL

Series: Serenii  
 Partner: Prolicht  
 Division: Architectural  
 Installation: Suspension  
 Product Type: Acoustic  
 Mounting Location: Ceiling  
 Light Distribution: Direct

#### PHYSICAL

Shape: Square  
 Length (mm): 1060  
 Length (in): 41 <sup>3</sup>/<sub>4</sub>  
 Width (mm): 1060  
 Width (in): 41 <sup>3</sup>/<sub>4</sub>  
 Height (mm): 91  
 Height (in): 3 <sup>9</sup>/<sub>16</sub>  
 Max. Overall Height (mm): 2091  
 Max. Overall Height (in): 82 <sup>7</sup>/<sub>16</sub>  
 Weight (kg): 6.2

Diffuser: [PMMA - Opal / Clear / Microprism / Clear Microprism / Wallwash Double Asymmetric / Glare Control / Black Raster / Black Raster / Wallwash Left / Wallwash Right](#)

Fixture Finish: [SSR / BKV / CWI / CRY / HAB / UFT / ITA / RUA / FTG / MYG / LOD / PUS / FRO / FUP / KIA / POP / BLS / SPG / MEY / GOH / CHC / COM / ABZ / JAG / OBR / MOS / ROR](#)

Holder Finish: [SSR / BKV / CWI / CRY / HAB / LAG / UFT / ITA / RUA / RUR / MIC / FTG / MYG / TWT / LOD / PUS / FRO / FUP / KIA / POP / BLS / SPG / MEY / GOH / GUM / CHC / COM / ABZ / JAG](#)

Accent Finish: [OPL / MPM / CMP / BKR / WHR / GCL / WWR / WWL / WDA](#)

Acoustic Finish: [SFW / CYW / SEE / SYN / MTS / PMB / TTN / CYB / STO / DPE / BES / SHB / ARE / ANE / VRD / CRF](#)

Fixture Material: [Acoustic / Aluminum / PMMA](#)

Primary Material: [Acoustic](#)

Cable Details: [2000mm/78 3/4" or 6000mm/236 1/4" Cable, - Transparent](#)

#### ELECTRICAL

Lamp Type: LED  
 Input Wattage (W): 12.9  
 Total Output Wattage (W): 11.8  
 Dimming: [Non-dimming / DALI Dimming / MATTER Dimming](#)  
 Driver Included: No  
 Driver Location: Remote  
 Driver Class: Class 2  
 Input Voltage (V): 120 - 277  
 Upon Request: [0 - 10V Dimming / Phase Dimming](#)

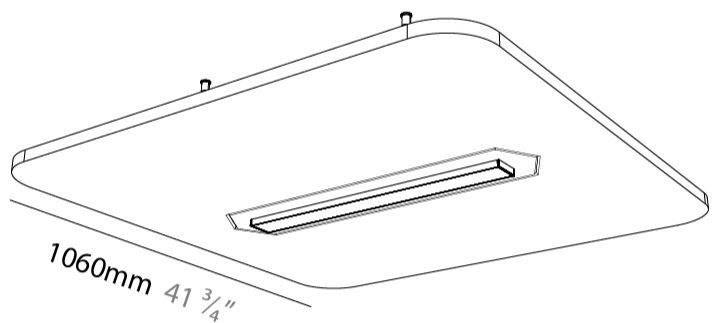
#### LED

Color Temperature (°K): [2700 / 3000 / 3500 / 4000](#)  
 Max. Delivered Lumen (lm): Max 1847  
 Nominal Lumen (lm): Max 2140  
 CRI: >90 CRI  
 Lamp Life (hrs): 50000

#### OPTICAL

#### RATINGS AND CERTIFICATIONS

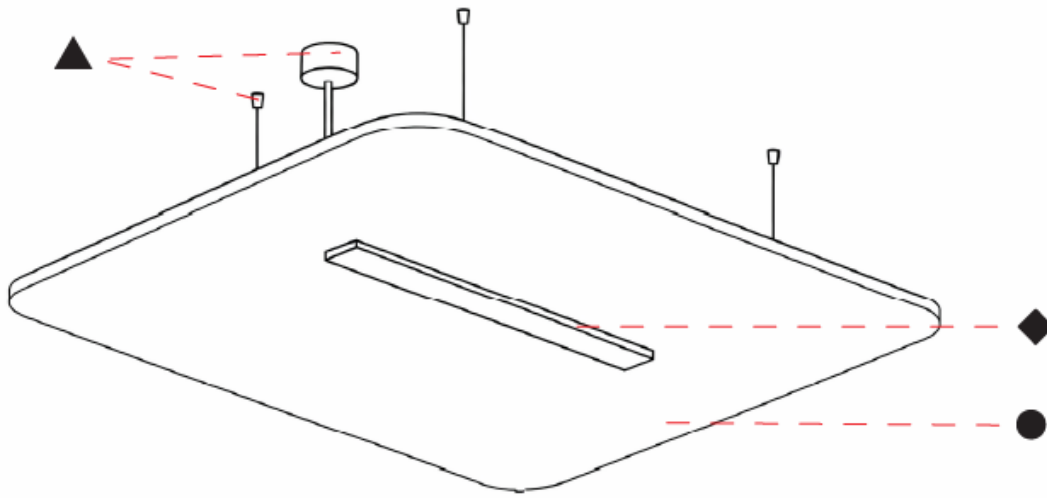
Certified By: Certified for North American Standards  
 IP rating: IP20



## SERENII SUSPENSION

A3001155-

|           |       |
|-----------|-------|
| PROJECT   | _____ |
| TYPE      | _____ |
| SPECIFIER | _____ |
| QUANTITY  | _____ |
| DATE      | _____ |



## SERENII SUSPENSION

### A3001156-

base number      Color Temperature      Finishes (Diamond)      Finishes (Triangle)      Acoustic Options      Cable Length      Diffuser Options

- To build a product code in our configurator select the specify button on the base model # product page
- To build a manual product code on this datasheet choose from the options listed below in blue font and add the suffix to the base model #

#### GENERAL

Series: Serenii  
 Partner: Prolicht  
 Division: Architectural  
 Installation: Suspension  
 Product Type: Acoustic  
 Mounting Location: Ceiling  
 Light Distribution: Direct / Indirect

#### PHYSICAL

Shape: Square  
 Length (mm): 1060  
 Length (in): 41 <sup>3</sup>/<sub>4</sub>  
 Width (mm): 1060  
 Width (in): 41 <sup>3</sup>/<sub>4</sub>  
 Height (mm): 91  
 Height (in): 3 <sup>9</sup>/<sub>16</sub>  
 Max. Overall Height (mm): 2091  
 Max. Overall Height (in): 82 <sup>7</sup>/<sub>16</sub>  
 Weight (kg): 6.2

Diffuser: [PMMA - Opal / Clear / Microprism / Clear Microprism / Wallwash Double Asymmetric / Glare Control / Black Raster / Black Raster / Wallwash Left / Wallwash Right](#)

Fixture Finish: [SSR / BKV / CWI / CRY / HAB / UFT / ITA / RUA / FTG / MYG / LOD / PUS / FRO / FUP / KIA / POP / BLS / SPG / MEY / GOH / CHC / COM / ABZ / JAG / OBR / MOS / ROR](#)

Holder Finish: [SSR / BKV / CWI / CRY / HAB / LAG / UFT / ITA / RUA / RUR / MIC / FTG / MYG / TWT / LOD / PUS / FRO / FUP / KIA / POP / BLS / SPG / MEY / GOH / GUM / CHC / COM / ABZ / JAG](#)

Accent Finish: [OPL / MPM / CMP / BKR / WHR / GCL / WWR / WWL / WDA](#)

Acoustic Finish: [SFW / CYW / SEE / SYN / MTS / PMB / TTN / CYB / STO / DPE / BES / SHB / ARE / ANE / VRD / CRF](#)

Fixture Material: [Acoustic / Aluminum / PMMA](#)

Primary Material: [Acoustic](#)

Cable Details: [2000mm/78 3/4" or 6000mm/236 1/4" Cable, - Transparent](#)

#### ELECTRICAL

Lamp Type: LED  
 Input Wattage (W): 21.5  
 Total Output Wattage (W): 20  
 Dimming: [Non-dimming / DALI Dimming / MATTER Dimming](#)  
 Driver Included: No  
 Driver Location: Remote  
 Driver Class: Class 2  
 Input Voltage (V): 120 - 277  
 Upon Request: [0 - 10V Dimming / Phase Dimming](#)

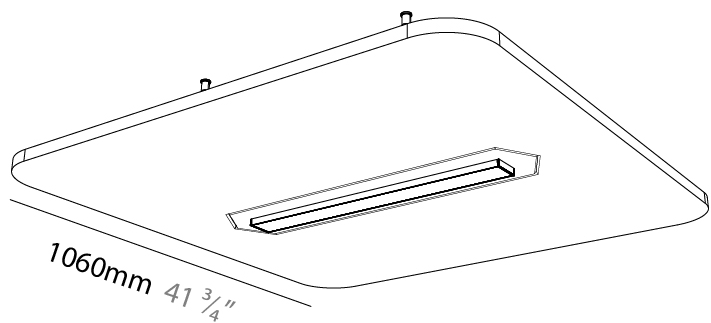
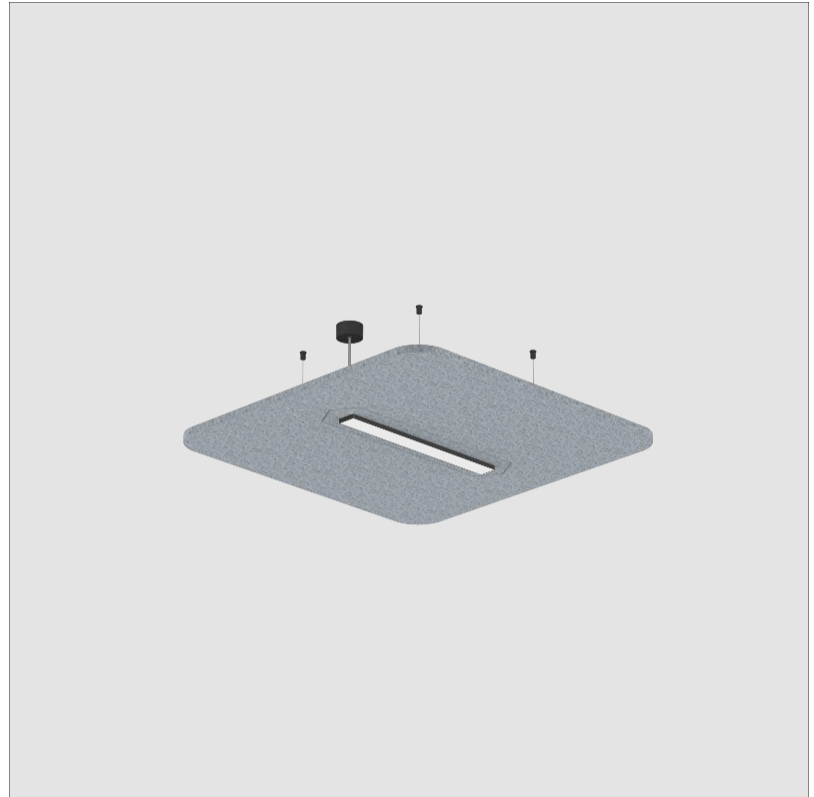
#### LED

Color Temperature (°K): [2700 / 3000 / 3500 / 4000](#)  
 Max. Delivered Lumen (lm): Max 2993  
 Nominal Lumen (lm): Max 3560  
 CRI: >90 CRI  
 Lamp Life (hrs): 50000

#### OPTICAL

#### RATINGS AND CERTIFICATIONS

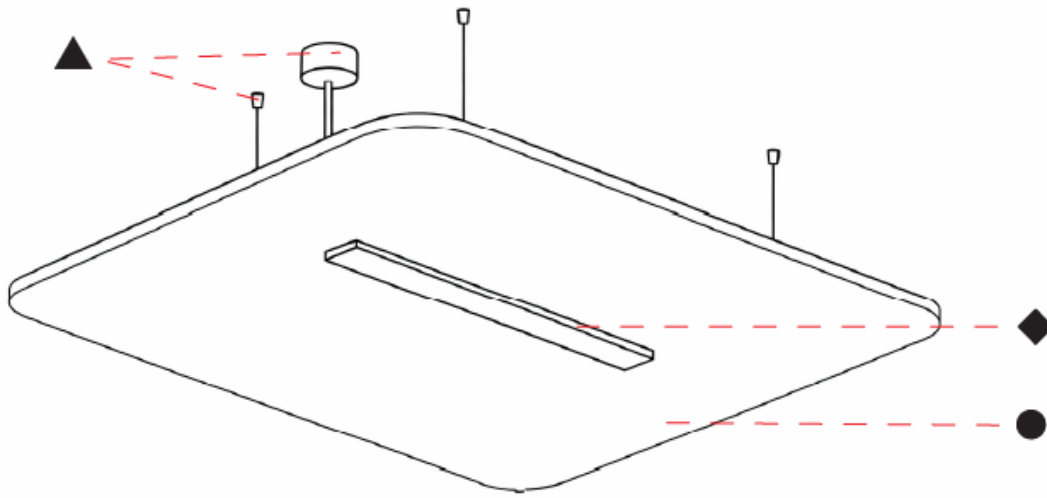
Certified By: Certified for North American Standards  
 IP rating: IP20



## SERENII SUSPENSION

A3001156-

|           |       |
|-----------|-------|
| PROJECT   | _____ |
| TYPE      | _____ |
| SPECIFIER | _____ |
| QUANTITY  | _____ |
| DATE      | _____ |



## SERENII SUSPENSION

### A3001159-

base number      Color Temperature      Finishes (Diamond)      Finishes (Triangle)      Acoustic Options      Cable Length      Diffuser Options

- To build a product code in our configurator select the specify button on the base model # product page
- To build a manual product code on this datasheet choose from the options listed below in blue font and add the suffix to the base model #

#### GENERAL

Series: Serenii  
 Partner: Prolicht  
 Division: Architectural  
 Installation: Suspension  
 Product Type: Acoustic  
 Mounting Location: Ceiling  
 Light Distribution: Direct

#### PHYSICAL

Shape: Rectangle  
 Length (mm): 1760  
 Length (in): 69 3/4  
 Width (mm): 1060  
 Width (in): 41 3/4  
 Height (mm): 91  
 Height (in): 3 9/16  
 Max. Overall Height (mm): 2091  
 Max. Overall Height (in): 82 7/16  
 Weight (kg): 6.5

Diffuser: [PMMA - Opal / Clear / Microprism / Clear Microprism / Wallwash Double Asymmetric / Glare Control / Black Raster / Black Raster / Wallwash Left / Wallwash Right](#)

Fixture Finish: [SSR / BKV / CWI / CRY / HAB / UFT / ITA / RUA / FTG / MYG / LOD / PUS / FRO / FUP / KIA / POP / BLS / SPG / MEY / GOH / CHC / COM / ABZ / JAG / OBR / MOS / ROR](#)

Holder Finish: [SSR / BKV / CWI / CRY / HAB / LAG / UFT / ITA / RUA / RUR / MIC / FTG / MYG / TWT / LOD / PUS / FRO / FUP / KIA / POP / BLS / SPG / MEY / GOH / GUM / CHC / COM / ABZ / JAG](#)

Accent Finish: [OPL / MPM / CMP / BKR / WHR / GCL / WWR / WWL / WDA](#)

Acoustic Finish: [SFW / CYW / SEE / SYN / MTS / PMB / TTN / CYB / STO / DPE / BES / SHB / ARE / ANE / VRD / CRF](#)

Fixture Material: [Acoustic / Aluminum / PMMA](#)

Primary Material: [Acoustic](#)

Cable Details: [2000mm/78 3/4" or 6000mm/236 1/4" Cable, - Transparent](#)

#### ELECTRICAL

Lamp Type: LED  
 Input Wattage (W): 25.8  
 Total Output Wattage (W): 23.6  
 Dimming: [Non-dimming / DALI Dimming / MATTER Dimming](#)  
 Driver Included: No  
 Driver Location: Remote  
 Driver Class: Class 2  
 Input Voltage (V): 120 - 277  
 Upon Request: [0 - 10V Dimming / Phase Dimming](#)

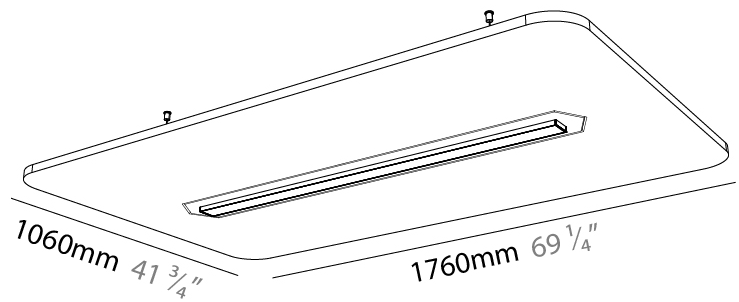
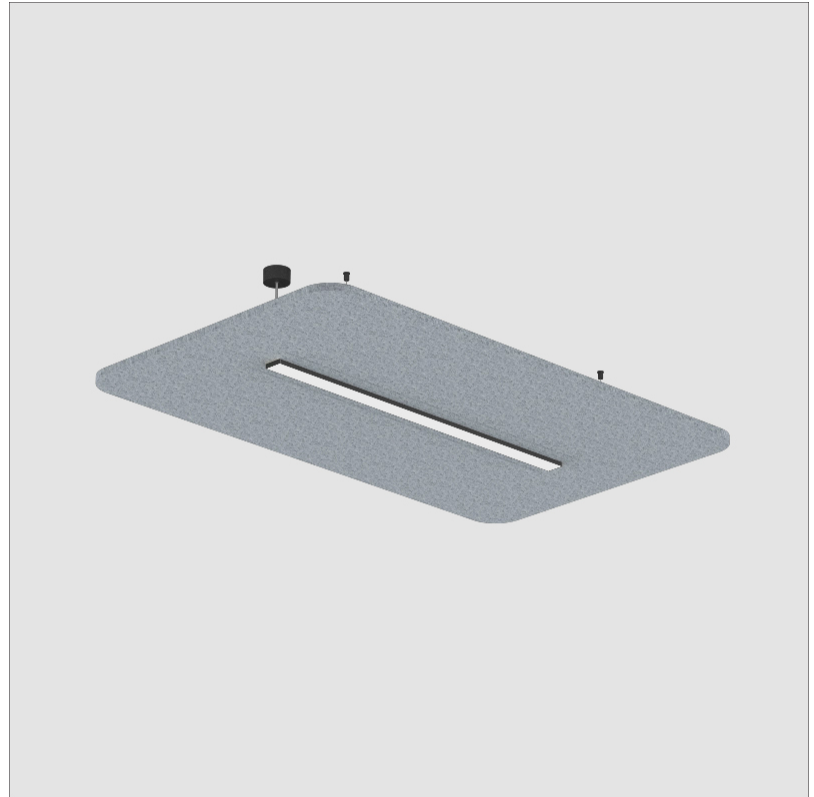
#### LED

Color Temperature (°K): [2700 / 3000 / 3500 / 4000](#)  
 Max. Delivered Lumen (lm): Max 3694  
 Nominal Lumen (lm): Max 4280  
 CRI: >90 CRI  
 Lamp Life (hrs): 50000

#### OPTICAL

#### RATINGS AND CERTIFICATIONS

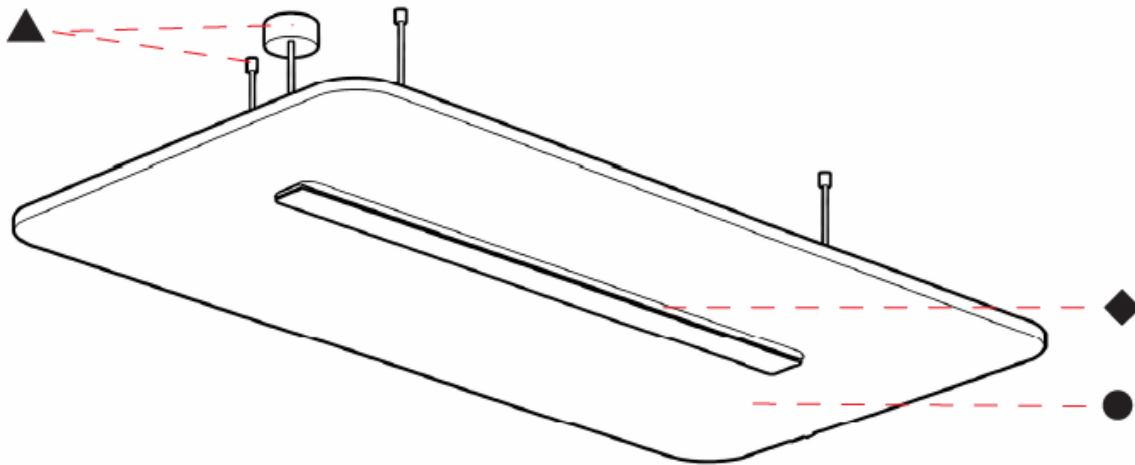
Certified By: [Certified for North American Standards](#)  
 IP rating: [IP20](#)



## SERENII SUSPENSION

A3001159-

|           |       |
|-----------|-------|
| PROJECT   | _____ |
| TYPE      | _____ |
| SPECIFIER | _____ |
| QUANTITY  | _____ |
| DATE      | _____ |



## SERENII SUSPENSION

### A3001160-

|             |                   |                    |                     |                  |              |                  |
|-------------|-------------------|--------------------|---------------------|------------------|--------------|------------------|
| base number | Color Temperature | Finishes (Diamond) | Finishes (Triangle) | Acoustic Options | Cable Length | Diffuser Options |
|-------------|-------------------|--------------------|---------------------|------------------|--------------|------------------|

- To build a product code in our configurator select the specify button on the base model # product page
- To build a manual product code on this datasheet choose from the options listed below in blue font and add the suffix to the base model #

#### GENERAL

Series: Serenii  
 Partner: Prolicht  
 Division: Architectural  
 Installation: Suspension  
 Product Type: Acoustic  
 Mounting Location: Ceiling  
 Light Distribution: Direct / Indirect

#### PHYSICAL

Shape: Rectangle  
 Length (mm): 1760  
 Length (in): 69 3/4  
 Width (mm): 1060  
 Width (in): 41 3/4  
 Height (mm): 91  
 Height (in): 3 9/16  
 Max. Overall Height (mm): 2091  
 Max. Overall Height (in): 82 3/16  
 Weight (kg): 6.2  
 Weight (lbs): 13.67

Diffuser: [PMMA - Opal / Clear / Microprism / Clear Microprism / Wallwash Double Asymmetric / Glare Control / Black Raster / Black Raster / Wallwash Left / Wallwash Right](#)

Fixture Finish: [SSR / BKV / CWI / CRY / HAB / UFT / ITA / RUA / FTG / MYG / LOD / PUS / FRO / FUP / KIA / POP / BLS / SPG / MEY / GOH / CHC / COM / ABZ / JAG / OBR / MOS / ROR](#)

Holder Finish: [SSR / BKV / CWI / CRY / HAB / LAG / UFT / ITA / RUA / RUR / MIC / FTG / MYG / TWT / LOD / PUS / FRO / FUP / KIA / POP / BLS / SPG / MEY / GOH / GUM / CHC / COM / ABZ / JAG](#)

Accent Finish: [OPL / MPM / CMP / BKR / WHR / GCL / WWR / WWL / WDA](#)  
 Acoustic Finish: [SFW / CYW / SEE / SYN / MTS / PMB / TTN / CYB / STO / DPE / BES / SHB / ARE / ANE / VRD / CRF](#)

Fixture Material: [Acoustic / Aluminum / PMMA](#)

Primary Material: [Acoustic](#)

Cable Details: [2000mm/78 3/4" or 6000mm/236 1/4" Cable, - Transparent](#)

#### ELECTRICAL

Lamp Type: LED  
 Input Wattage (W): 47.3  
 Total Output Wattage (W): 42.7  
 Dimming: [Non-dimming / DALI Dimming / MATTER Dimming](#)  
 Driver Included: No  
 Driver Location: Remote  
 Driver Class: Class 2  
 Input Voltage (V): 120 - 277  
 Upon Request: [0 - 10V Dimming / Phase Dimming](#)

#### LED

Color Temperature (°K): [2700 / 3000 / 3500 / 4000](#)  
 Max. Delivered Lumen (lm): Max 6567  
 Nominal Lumen (lm): Max 7840  
 CRI: >90 CRI  
 Lamp Life (hrs): 50000

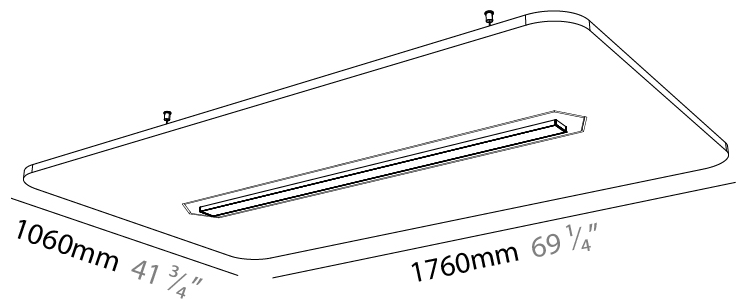
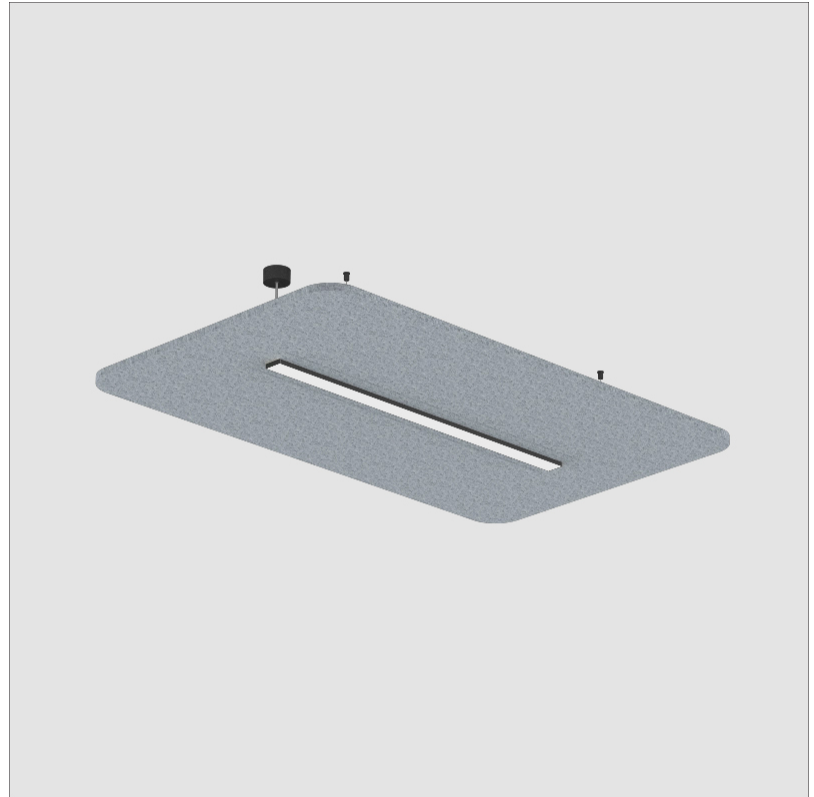
#### OPTICAL

#### RATINGS AND CERTIFICATIONS

Certified By: Certified for North American Standards

© 2026, T 1800-388-3382, F 416-247-9319, www.zaneen.com

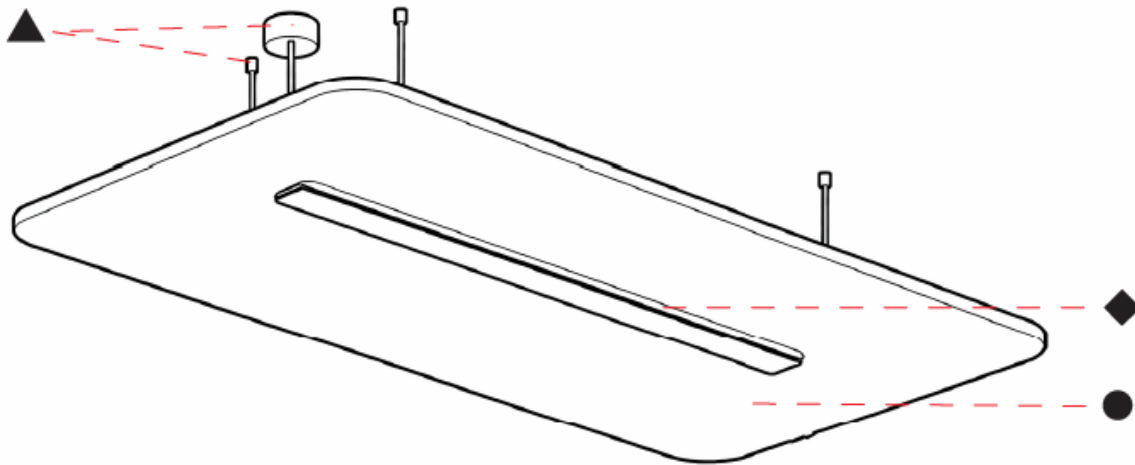
Available for International specifications by adding 'INT' at the end of the existing Model #. For assistance on 'custom' specifications, contact zteam@zaneen.com. In a constant effort to supply the best product, we reserve the right to change specifications or materials without notice. The most recent specification sheets are found at zaneen.com



## SERENII SUSPENSION

A3001160-

|           |       |
|-----------|-------|
| PROJECT   | _____ |
| TYPE      | _____ |
| SPECIFIER | _____ |
| QUANTITY  | _____ |
| DATE      | _____ |



|           |  |
|-----------|--|
| PROJECT   |  |
| TYPE      |  |
| SPECIFIER |  |
| QUANTITY  |  |
| DATE      |  |

## SERENII SUSPENSION

### A3001163-

|             |                   |                    |                     |                  |              |                  |
|-------------|-------------------|--------------------|---------------------|------------------|--------------|------------------|
| base number | Color Temperature | Finishes (Diamond) | Finishes (Triangle) | Acoustic Options | Cable Length | Diffuser Options |
|-------------|-------------------|--------------------|---------------------|------------------|--------------|------------------|

- To build a product code in our configurator select the specify button on the base model # product page
- To build a manual product code on this datasheet choose from the options listed below in blue font and add the suffix to the base model #

#### GENERAL

Series: Serenii  
 Partner: Prolicht  
 Division: Architectural  
 Installation: Suspension  
 Product Type: Acoustic  
 Mounting Location: Ceiling  
 Light Distribution: Direct

#### PHYSICAL

Shape: Rectangle  
 Length (mm): 2320  
 Length (in): 91 <sup>3</sup>/<sub>8</sub>  
 Width (mm): 1060  
 Width (in): 41 <sup>3</sup>/<sub>4</sub>  
 Height (mm): 91  
 Height (in): 3 <sup>9</sup>/<sub>16</sub>  
 Max. Overall Height (mm): 2091  
 Max. Overall Height (in): 82 <sup>7</sup>/<sub>16</sub>  
 Weight (kg): 8.3

Diffuser: [PMMA - Opal / Clear / Microprism / Clear Microprism / Wallwash Double Asymmetric / Glare Control / Black Raster / Black Raster / Wallwash Left / Wallwash Right](#)

Fixture Finish: [SSR / BKV / CWI / CRY / HAB / UFT / ITA / RUA / FTG / MYG / LOD / PUS / FRO / FUP / KIA / POP / BLS / SPG / MEY / GOH / CHC / COM / ABZ / JAG / OBR / MOS / ROR](#)

Holder Finish: [SSR / BKV / CWI / CRY / HAB / LAG / UFT / ITA / RUA / RUR / MIC / FTG / MYG / TWT / LOD / PUS / FRO / FUP / KIA / POP / BLS / SPG / MEY / GOH / GUM / CHC / COM / ABZ / JAG](#)

Accent Finish: [OPL / MPM / CMP / BKR / WHR / GCL / WWR / WWL / WDA](#)

Acoustic Finish: [SFW / CYW / SEE / SYN / MTS / PMB / TTN / CYB / STO / DPE / BES / SHB / ARE / ANE / VRD / CRF](#)

Fixture Material: [Acoustic / Aluminum / PMMA](#)

Primary Material: [Acoustic](#)

Cable Details: [2000mm/78 3/4" or 6000mm/236 1/4" Cable, - Transparent](#)

#### ELECTRICAL

Lamp Type: LED  
 Input Wattage (W): 38.7  
 Total Output Wattage (W): 35.5  
 Dimming: [Non-dimming / DALI Dimming / MATTER Dimming](#)  
 Driver Included: No  
 Driver Location: Remote  
 Driver Class: Class 2  
 Input Voltage (V): 120 - 277  
 Upon Request: [0 - 10V Dimming / Phase Dimming](#)

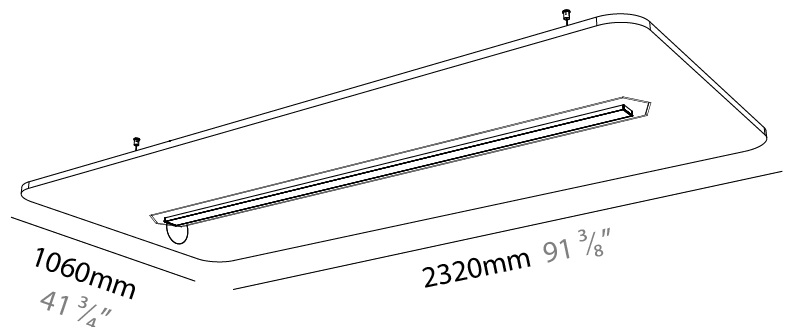
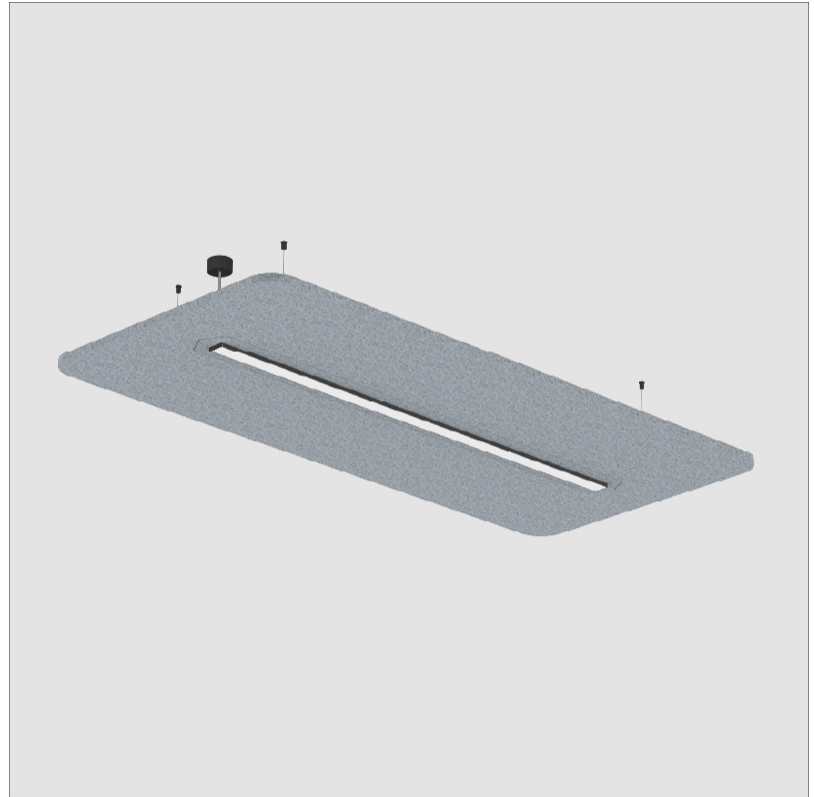
#### LED

Color Temperature (°K): [2700 / 3000 / 3500 / 4000](#)  
 Max. Delivered Lumen (lm): Max 5540  
 Nominal Lumen (lm): Max 6420  
 CRI: >90 CRI  
 Lamp Life (hrs): 50000

#### OPTICAL

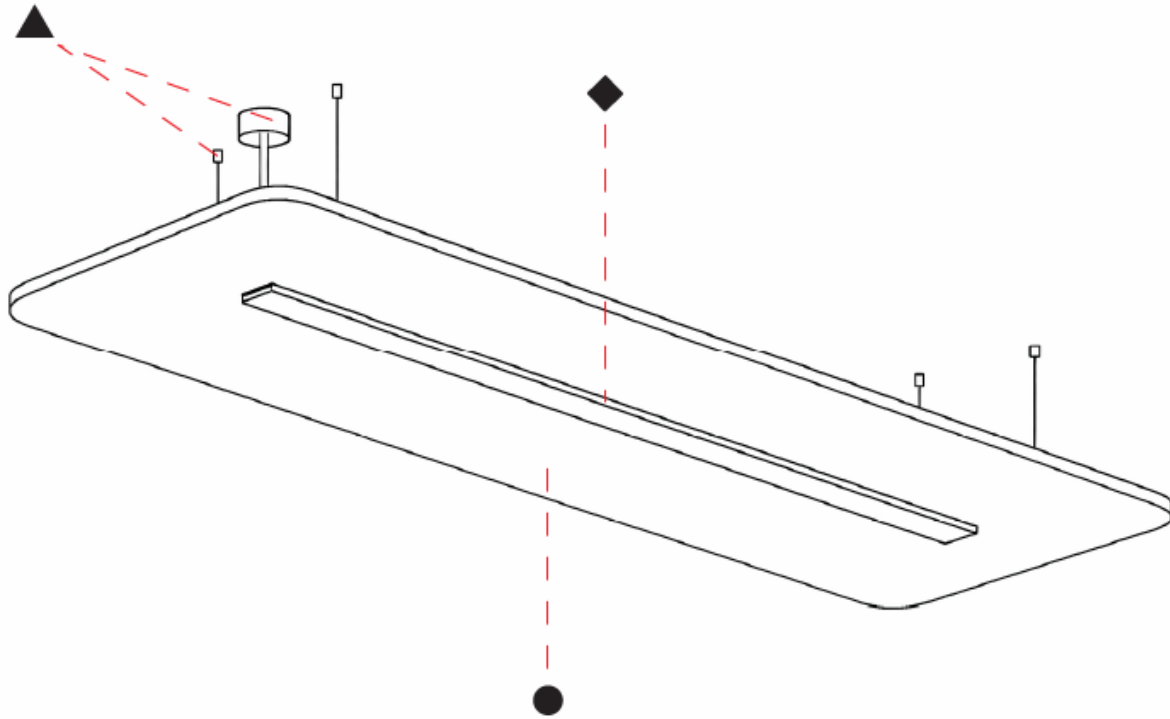
#### RATINGS AND CERTIFICATIONS

Certified By: Certified for North American Standards  
 IP rating: IP20



A3001163-

|           |       |
|-----------|-------|
| PROJECT   | _____ |
| TYPE      | _____ |
| SPECIFIER | _____ |
| QUANTITY  | _____ |
| DATE      | _____ |



A

## SERENII SUSPENSION

### A3001164-

base number      Color      Finishes      Finishes      Acoustic      Cable      Diffuser  
 Temperature      (Diamond)      (Triangle)      Options      Length      Options

- To build a product code in our configurator select the specify button on the base model # product page
- To build a manual product code on this datasheet choose from the options listed below in blue font and add the suffix to the base model #

#### GENERAL

Series: Serenii  
 Partner: Prolicht  
 Division: Architectural  
 Installation: Suspension  
 Product Type: Acoustic  
 Mounting Location: Ceiling  
 Light Distribution: Direct / Indirect

#### PHYSICAL

Shape: Rectangle  
 Length (mm): 2320  
 Length (in): 91 <sup>3</sup>/<sub>8</sub>  
 Width (mm): 1060  
 Width (in): 41 <sup>3</sup>/<sub>4</sub>  
 Height (mm): 91  
 Height (in): 3 <sup>9</sup>/<sub>16</sub>  
 Max. Overall Height (mm): 2091  
 Max. Overall Height (in): 82 <sup>7</sup>/<sub>16</sub>  
 Weight (kg): 6.2  
 Weight (lbs): 13.67

Diffuser: [PMMA - Opal / Clear / Microprism / Clear Microprism / Wallwash Double Asymmetric / Glare Control / Black Raster / Black Raster / Wallwash Left / Wallwash Right](#)

Fixture Finish: [SSR / BKV / CWI / CRY / HAB / UFT / ITA / RUA / FTG / MYG / LOD / PUS / FRO / FUP / KIA / POP / BLS / SPG / MEY / GOH / CHC / COM / ABZ / JAG / OBR / MOS / ROR](#)

Holder Finish: [SSR / BKV / CWI / CRY / HAB / LAG / UFT / ITA / RUA / RUR / MIC / FTG / MYG / TWT / LOD / PUS / FRO / FUP / KIA / POP / BLS / SPG / MEY / GOH / GUM / CHC / COM / ABZ / JAG](#)

Accent Finish: [OPL / MPM / CMP / BKR / WHR / GCL / WWR / WWL / WDA](#)

Acoustic Finish: [SFW / CYW / SEE / SYN / MTS / PMB / TTN / CYB / STO / DPE / BES / SHB / ARE / ANE / VRD / CRF](#)

Fixture Material: [Acoustic / Aluminum / PMMA](#)

Primary Material: [Acoustic](#)

Cable Details: [2000mm/78 3/4" or 6000mm/236 1/4" Cable, - Transparent](#)

#### ELECTRICAL

Lamp Type: LED  
 Input Wattage (W): 73.1  
 Total Output Wattage (W): 66.3  
 Dimming: [Non-dimming / DALI Dimming / MATTER Dimming](#)  
 Driver Included: No  
 Driver Location: Remote  
 Driver Class: Class 2  
 Input Voltage (V): 120 - 277  
 Upon Request: [0 - 10V Dimming / Phase Dimming](#)

#### LED

Color Temperature (°K): [2700 / 3000 / 3500 / 4000](#)  
 Max. Delivered Lumen (lm): Max 10140  
 Nominal Lumen (lm): Max 12120  
 CRI: >90 CRI  
 Lamp Life (hrs): 50000

#### OPTICAL

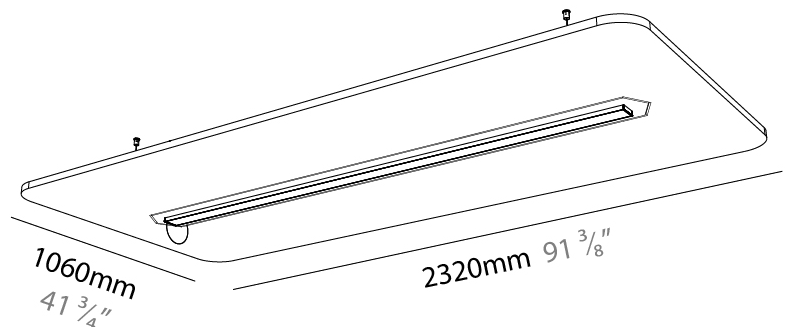
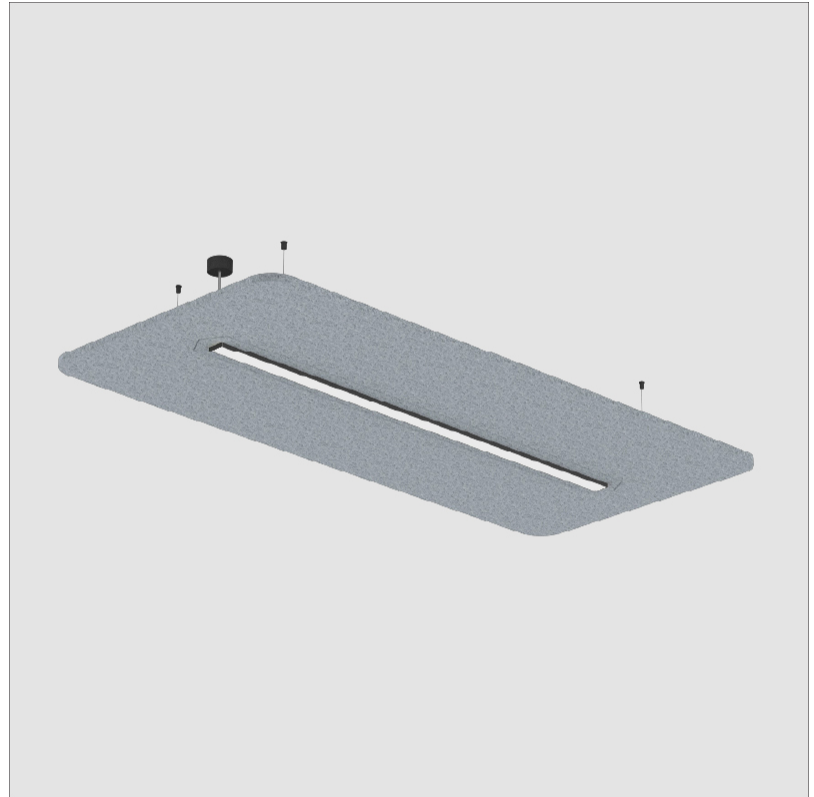
#### RATINGS AND CERTIFICATIONS

Certified By: Certified for North American Standards

© 2026, T 1800-388-3382, F 416-247-9319, www.zaneen.com

Available for International specifications by adding 'INT' at the end of the existing Model #. For assistance on 'custom' specifications, contact zteam@zaneen.com. In a constant effort to supply the best product, we reserve the right to change specifications or materials without notice. The most recent specification sheets are found at zaneen.com

|           |
|-----------|
| PROJECT   |
| TYPE      |
| SPECIFIER |
| QUANTITY  |
| DATE      |



## SERENII SUSPENSION

A3001164-

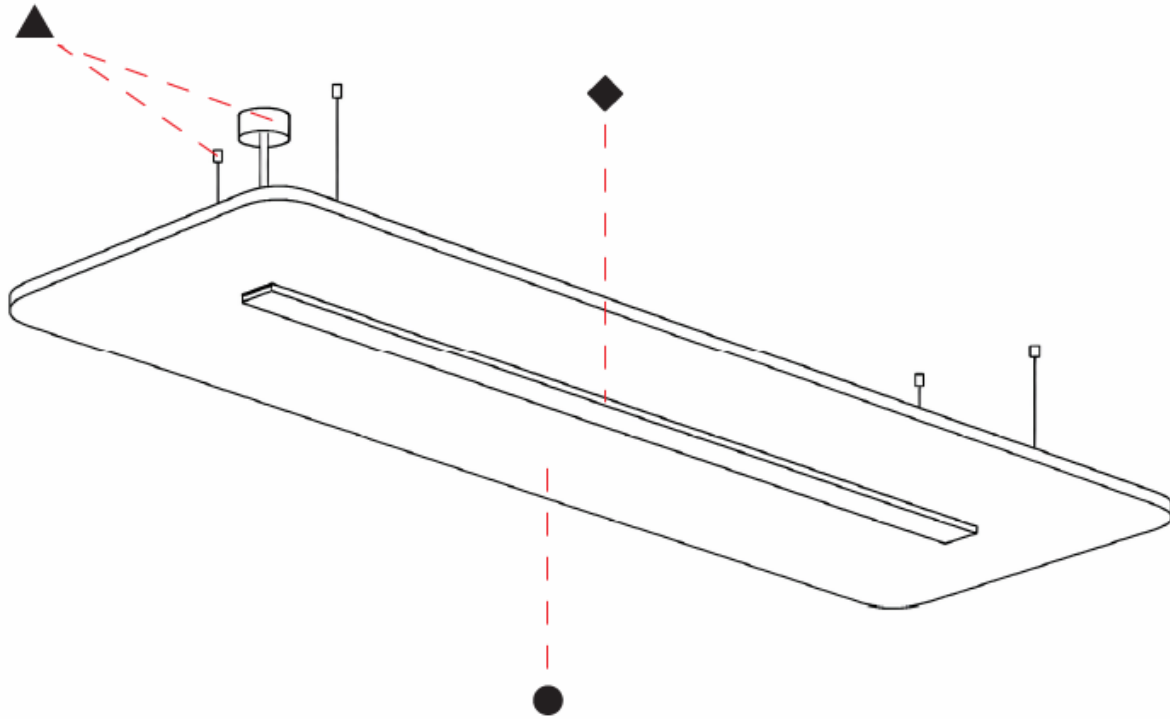
PROJECT \_\_\_\_\_

TYPE \_\_\_\_\_

SPECIFIER \_\_\_\_\_

QUANTITY \_\_\_\_\_

DATE \_\_\_\_\_



A

## SERENII SUSPENSION

### A3001165-

base number      Color      Finishes      Finishes      Acoustic      Cable      Diffuser  
 Temperature      (Diamond)      (Triangle)      Options      Length      Options

- To build a product code in our configurator select the specify button on the base model # product page
- To build a manual product code on this datasheet choose from the options listed below in blue font and add the suffix to the base model #

#### GENERAL

Series: Serenii  
 Partner: Prolicht  
 Division: Architectural  
 Installation: Suspension  
 Product Type: Acoustic  
 Mounting Location: Ceiling  
 Light Distribution: Direct

#### PHYSICAL

Shape: Square  
 Length (mm): 1060  
 Length (in): 41 <sup>3</sup>/<sub>4</sub>  
 Width (mm): 1060  
 Width (in): 41 <sup>3</sup>/<sub>4</sub>  
 Height (mm): 91  
 Height (in): 3 <sup>9</sup>/<sub>16</sub>  
 Max. Overall Height (mm): 2091  
 Max. Overall Height (in): 82 <sup>7</sup>/<sub>16</sub>  
 Weight (kg): 6.2  
 Weight (lbs): 13.67

Diffuser: [PMMA - Opal / Clear / Microprism / Clear Microprism / Wallwash Double Asymmetric / Glare Control / Black Raster / Black Raster / Wallwash Left / Wallwash Right](#)

Fixture Finish: [SSR / BKV / CWI / CRY / HAB / UFT / ITA / RUA / FTG / MYG / LOD / PUS / FRO / FUP / KIA / POP / BLS / SPG / MEY / GOH / CHC / COM / ABZ / JAG / OBR / MOS / ROR](#)

Holder Finish: [SSR / BKV / CWI / CRY / HAB / LAG / UFT / ITA / RUA / RUR / MIC / FTG / MYG / TWT / LOD / PUS / FRO / FUP / KIA / POP / BLS / SPG / MEY / GOH / GUM / CHC / COM / ABZ / JAG](#)

Accent Finish: [OPL / MPM / CMP / BKR / WHR / GCL / WWR / WWL / WDA](#)

Acoustic Finish: [SFW / CYW / SEE / SYN / MTS / PMB / TTN / CYB / STO / DPE / BES / SHB / ARE / ANE / VRD / CRF](#)

Fixture Material: [Acoustic / Aluminum / PMMA](#)

Primary Material: [Acoustic](#)

Cable Details: [2000mm/78 3/4" or 6000mm/236 1/4" Cable, - Transparent](#)

#### ELECTRICAL

Lamp Type: LED  
 Input Wattage (W): 12.9  
 Total Output Wattage (W): 11.8  
 Dimming: [Non-dimming / DALI Dimming / MATTER Dimming](#)  
 Driver Included: No  
 Driver Location: Remote  
 Driver Class: Class 2  
 Input Voltage (V): 120 - 277  
 Upon Request: [0 - 10V Dimming / Phase Dimming](#)

#### LED

Color Temperature (°K): [2700 / 3000 / 3500 / 4000](#)  
 Max. Delivered Lumen (lm): Max 1847  
 Nominal Lumen (lm): Max 2140  
 CRI: >90 CRI  
 Lamp Life (hrs): 50000

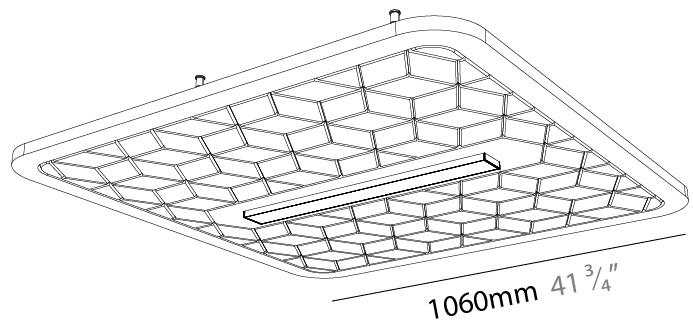
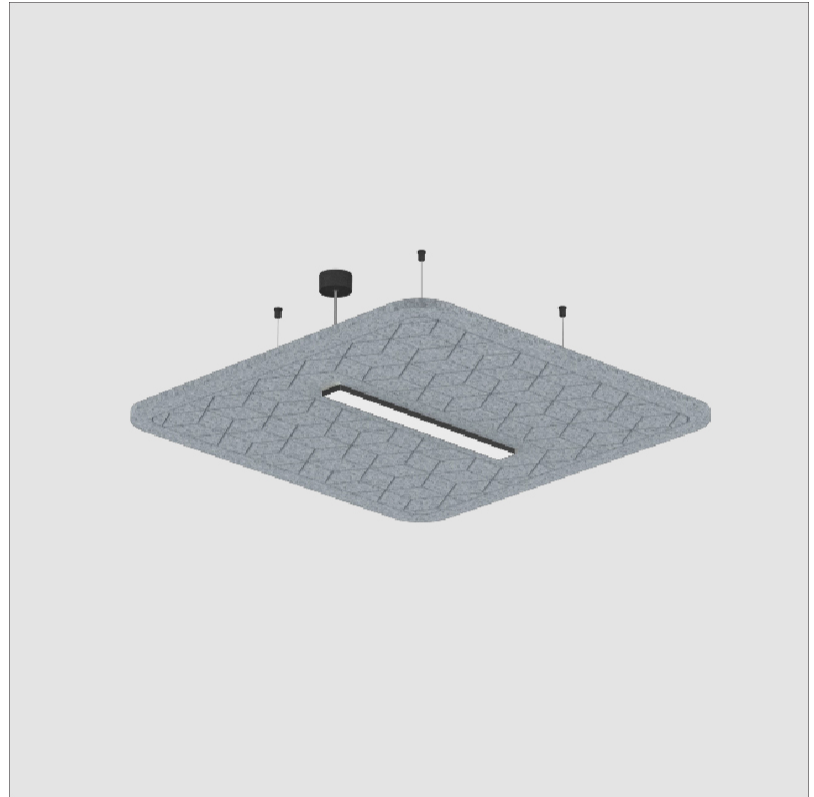
#### OPTICAL

#### RATINGS AND CERTIFICATIONS

Certified By: Certified for North American Standards

IP Rating: [IP20](#) © 2026, T 1800-388-3382, F 416-247-9319, www.zaneen.com

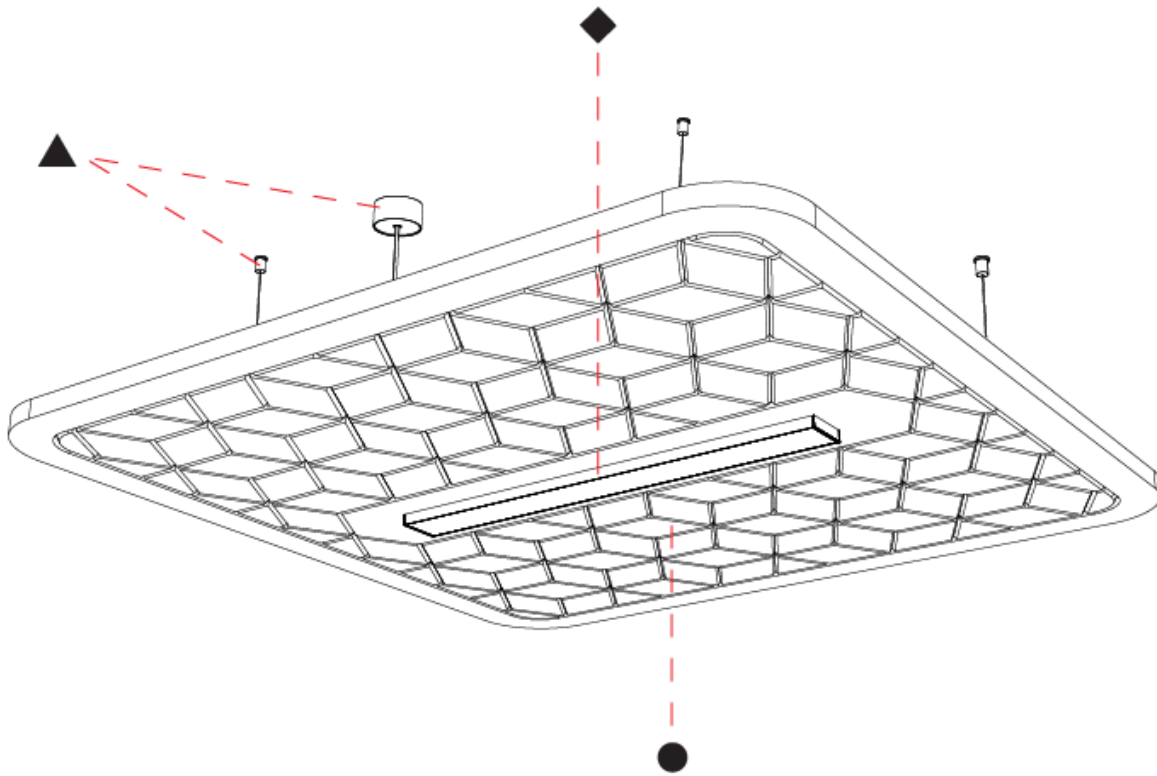
Available for International specifications by adding 'INT' at the end of the existing Model #. For assistance on 'custom' specifications, contact zteam@zaneen.com. In a constant effort to supply the best product, we reserve the right to change specifications or materials without notice. The most recent specification sheets are found at zaneen.com



## SERENII SUSPENSION

A3001165-

|           |       |
|-----------|-------|
| PROJECT   | _____ |
| TYPE      | _____ |
| SPECIFIER | _____ |
| QUANTITY  | _____ |
| DATE      | _____ |



A

## SERENII SUSPENSION

### A3001166-

base number      Color      Finishes      Finishes      Acoustic      Cable      Diffuser  
 Temperature      (Diamond)      (Triangle)      Options      Length      Options

- To build a product code in our configurator select the specify button on the base model # product page
- To build a manual product code on this datasheet choose from the options listed below in blue font and add the suffix to the base model #

#### GENERAL

Series: Serenii  
 Partner: Prolicht  
 Division: Architectural  
 Installation: Suspension  
 Product Type: Acoustic  
 Mounting Location: Ceiling  
 Light Distribution: Direct / Indirect

#### PHYSICAL

Shape: Square  
 Length (mm): 1060  
 Length (in): 41 <sup>3</sup>/<sub>4</sub>  
 Width (mm): 1060  
 Width (in): 41 <sup>3</sup>/<sub>4</sub>  
 Height (mm): 91  
 Height (in): 3 <sup>9</sup>/<sub>16</sub>  
 Max. Overall Height (mm): 2091  
 Max. Overall Height (in): 82 <sup>7</sup>/<sub>16</sub>  
 Weight (kg): 6.2  
 Weight (lbs): 13.67

Diffuser: [PMMA - Opal / Clear / Microprism / Clear Microprism / Wallwash Double Asymmetric / Glare Control / Black Raster / Black Raster / Wallwash Left / Wallwash Right](#)

Fixture Finish: [SSR / BKV / CWI / CRY / HAB / UFT / ITA / RUA / FTG / MYG / LOD / PUS / FRO / FUP / KIA / POP / BLS / SPG / MEY / GOH / CHC / COM / ABZ / JAG / OBR / MOS / ROR](#)

Holder Finish: [SSR / BKV / CWI / CRY / HAB / LAG / UFT / ITA / RUA / RUR / MIC / FTG / MYG / TWT / LOD / PUS / FRO / FUP / KIA / POP / BLS / SPG / MEY / GOH / GUM / CHC / COM / ABZ / JAG](#)

Accent Finish: [OPL / MPM / CMP / BKR / WHR / GCL / WWR / WWL / WDA](#)  
 Acoustic Finish: [SFW / CYW / SEE / SYN / MTS / PMB / TTN / CYB / STO / DPE / BES / SHB / ARE / ANE / VRD / CRF](#)

Fixture Material: [Acoustic / Aluminum / PMMA](#)

Primary Material: [Acoustic](#)

Cable Details: [2000mm/78 3/4" or 6000mm/236 1/4" Cable, - Transparent](#)

#### ELECTRICAL

Lamp Type: LED  
 Input Wattage (W): 21.5  
 Total Output Wattage (W): 20  
 Dimming: [Non-dimming / DALI Dimming / MATTER Dimming](#)  
 Driver Included: No  
 Driver Location: Remote  
 Driver Class: Class 2  
 Input Voltage (V): 120 - 277  
 Upon Request: [0 - 10V Dimming / Phase Dimming](#)

#### LED

Color Temperature (°K): [2700 / 3000 / 3500 / 4000](#)  
 Max. Delivered Lumen (lm): Max 2993  
 Nominal Lumen (lm): Max 3560  
 CRI: >90 CRI  
 Lamp Life (hrs): 50000

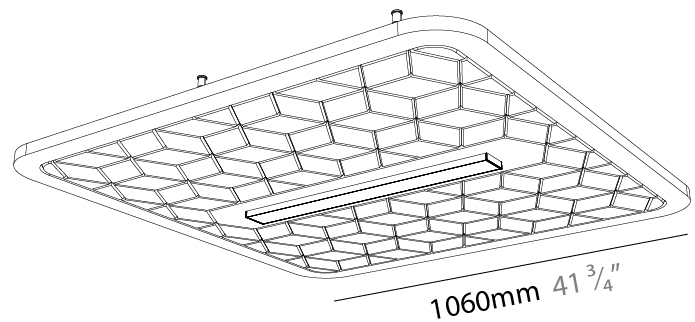
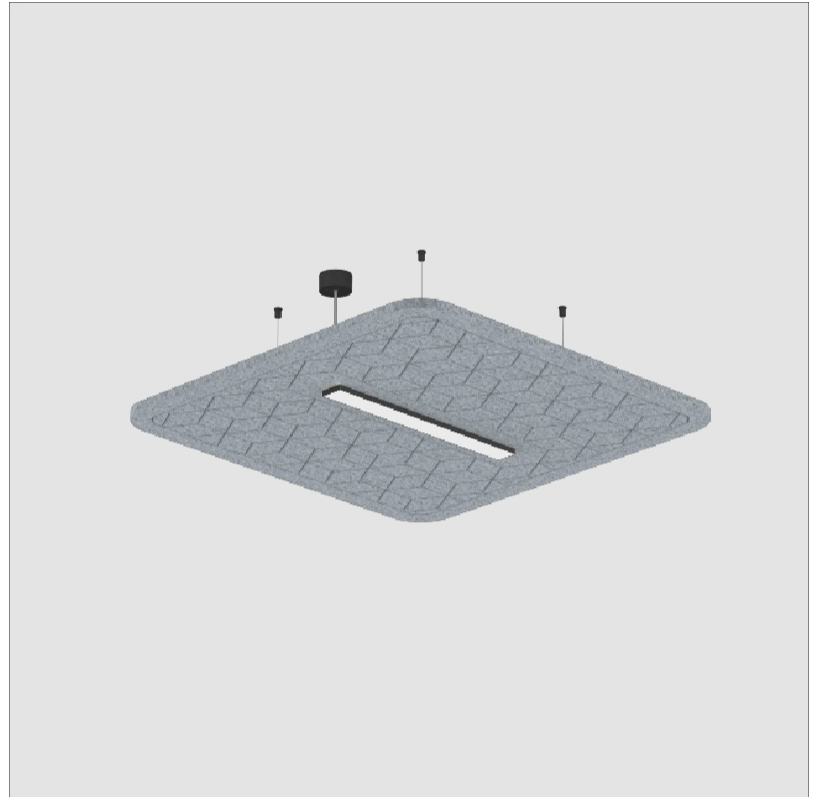
#### OPTICAL

#### RATINGS AND CERTIFICATIONS

Certified By: Certified for North American Standards

IP Rating: [IP20](#) © 2026, T 1800-388-3382, F 416-247-9319, www.zaneen.com

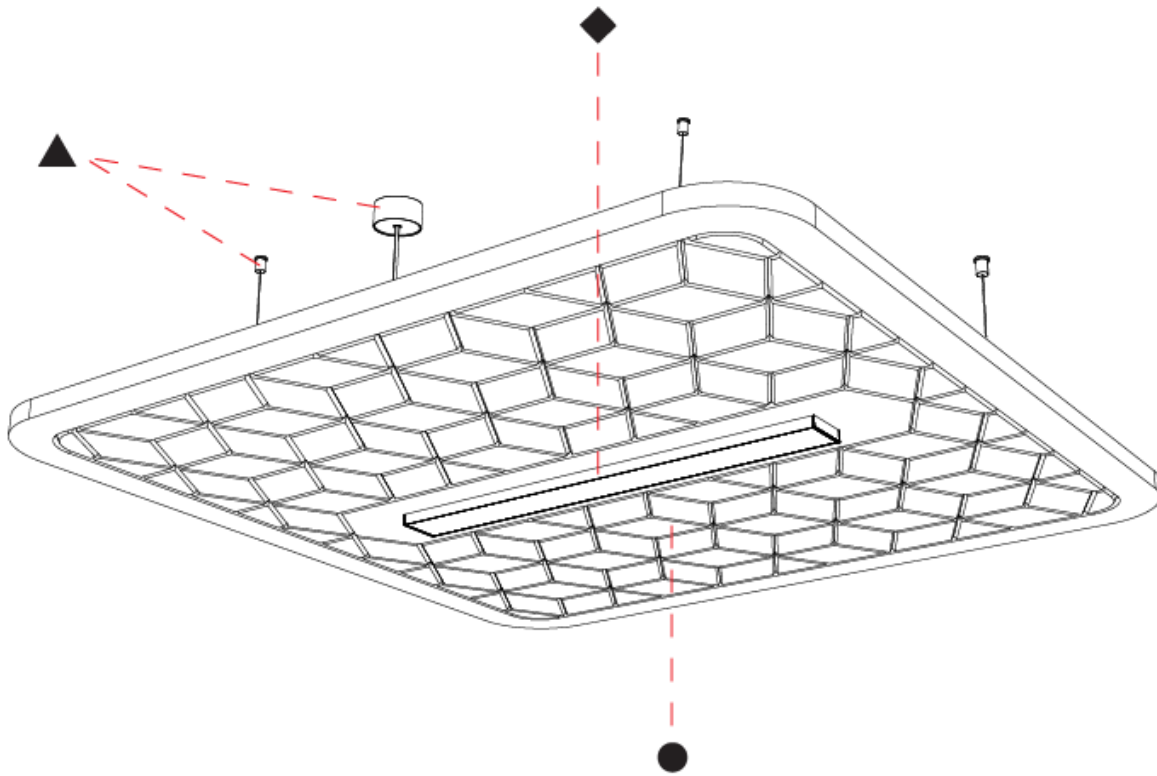
Available for International specifications by adding 'INT' at the end of the existing Model #. For assistance on 'custom' specifications, contact zteam@zaneen.com. In a constant effort to supply the best product, we reserve the right to change specifications or materials without notice. The most recent specification sheets are found at zaneen.com



## SERENII SUSPENSION

A3001166-

|           |       |
|-----------|-------|
| PROJECT   | _____ |
| TYPE      | _____ |
| SPECIFIER | _____ |
| QUANTITY  | _____ |
| DATE      | _____ |



A

|           |
|-----------|
| PROJECT   |
| TYPE      |
| SPECIFIER |
| QUANTITY  |
| DATE      |

## SERENII SUSPENSION

### A3001169-

|             |                   |                    |                     |                  |              |                  |
|-------------|-------------------|--------------------|---------------------|------------------|--------------|------------------|
| base number | Color Temperature | Finishes (Diamond) | Finishes (Triangle) | Acoustic Options | Cable Length | Diffuser Options |
|-------------|-------------------|--------------------|---------------------|------------------|--------------|------------------|

- To build a product code in our configurator select the specify button on the base model # product page
- To build a manual product code on this datasheet choose from the options listed below in blue font and add the suffix to the base model #

#### GENERAL

Series: Serenii  
 Partner: Prolicht  
 Division: Architectural  
 Installation: Suspension  
 Product Type: Acoustic  
 Mounting Location: Ceiling  
 Light Distribution: Direct

#### PHYSICAL

Shape: Rectangle  
 Length (mm): 1760  
 Length (in): 69 3/4  
 Width (mm): 1060  
 Width (in): 41 3/4  
 Height (mm): 91  
 Height (in): 3 9/16  
 Max. Overall Height (mm): 2091  
 Max. Overall Height (in): 82 7/16  
 Weight (kg): 6.5  
 Weight (lbs): 14.33

Diffuser: [PMMA - Opal / Clear / Microprism / Clear Microprism / Wallwash Double Asymmetric / Glare Control / Black Raster / Black Raster / Wallwash Left / Wallwash Right](#)

Fixture Finish: [SSR / BKV / CWI / CRY / HAB / UFT / ITA / RUA / FTG / MYG / LOD / PUS / FRO / FUP / KIA / POP / BLS / SPG / MEY / GOH / CHC / COM / ABZ / JAG / OBR / MOS / ROR](#)

Holder Finish: [SSR / BKV / CWI / CRY / HAB / LAG / UFT / ITA / RUA / RUR / MIC / FTG / MYG / TWT / LOD / PUS / FRO / FUP / KIA / POP / BLS / SPG / MEY / GOH / GUM / CHC / COM / ABZ / JAG](#)

Accent Finish: [OPL / MPM / CMP / BKR / WHR / GCL / WWR / WWL / WDA](#)

Acoustic Finish: [SFW / CYW / SEE / SYN / MTS / PMB / TTN / CYB / STO / DPE / BES / SHB / ARE / ANE / VRD / CRF](#)

Fixture Material: [Acoustic / Aluminum / PMMA](#)

Primary Material: [Acoustic](#)

Cable Details: [2000mm/78 3/4" or 6000mm/236 1/4" Cable, - Transparent](#)

#### ELECTRICAL

Lamp Type: LED  
 Input Wattage (W): 25.8  
 Total Output Wattage (W): 23.6  
 Dimming: [Non-dimming / DALI Dimming / MATTER Dimming](#)  
 Driver Included: No  
 Driver Location: Remote  
 Driver Class: Class 2  
 Input Voltage (V): 120 - 277  
 Upon Request: [0 - 10V Dimming / Phase Dimming](#)

#### LED

Color Temperature (°K): [2700 / 3000 / 3500 / 4000](#)  
 Max. Delivered Lumen (lm): Max 3694  
 Nominal Lumen (lm): Max 4280  
 CRI: >90 CRI  
 Lamp Life (hrs): 50000

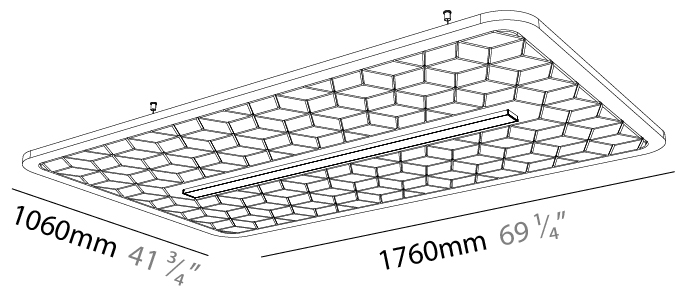
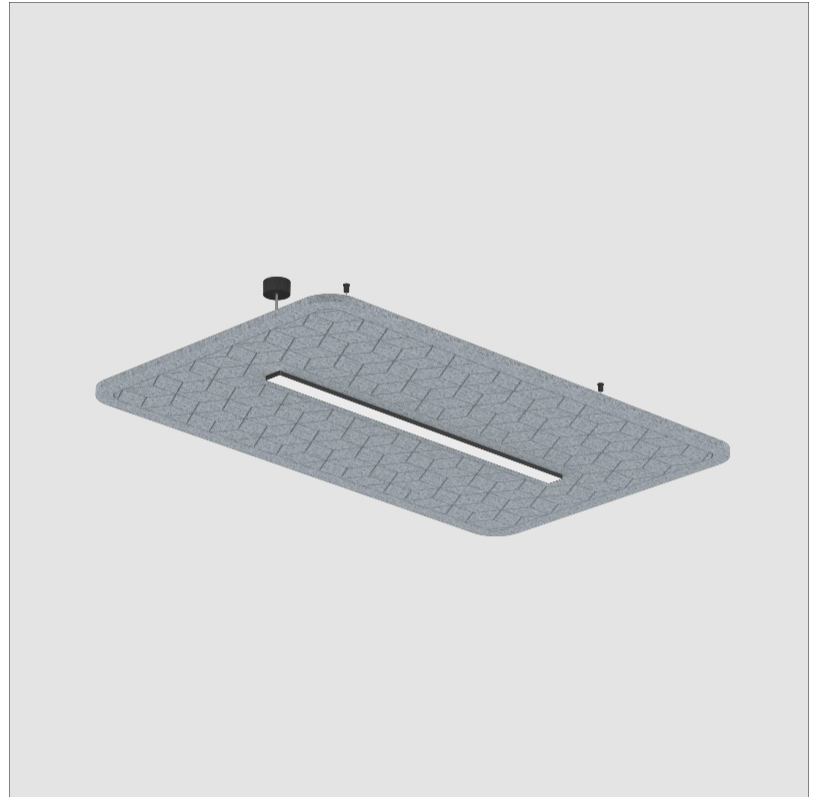
#### OPTICAL

#### RATINGS AND CERTIFICATIONS

Certified By: Certified for North American Standards

IP Rating: [IP20](#) © 2026, T 1800-388-3382, F 416-247-9319, www.zaneen.com

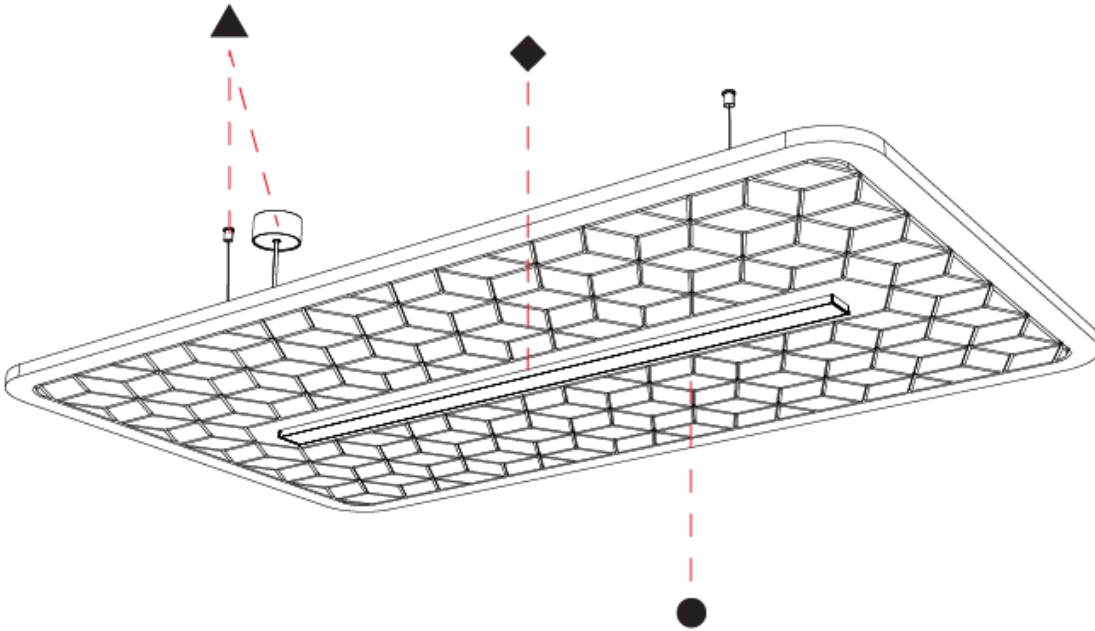
Available for International specifications by adding 'INT' at the end of the existing Model #. For assistance on 'custom' specifications, contact zteam@zaneen.com. In a constant effort to supply the best product, we reserve the right to change specifications or materials without notice. The most recent specification sheets are found at zaneen.com



## SERENII SUSPENSION

A3001169-

|           |       |
|-----------|-------|
| PROJECT   | _____ |
| TYPE      | _____ |
| SPECIFIER | _____ |
| QUANTITY  | _____ |
| DATE      | _____ |



## SERENII SUSPENSION

### A3001170-

base number      Color      Finishes      Finishes      Acoustic      Cable      Diffuser  
 Temperature      (Diamond)      (Triangle)      Options      Length      Options

- To build a product code in our configurator select the specify button on the base model # product page
- To build a manual product code on this datasheet choose from the options listed below in blue font and add the suffix to the base model #

#### GENERAL

Series: Serenii  
 Partner: Prolicht  
 Division: Architectural  
 Installation: Suspension  
 Product Type: Acoustic  
 Mounting Location: Ceiling  
 Light Distribution: Direct / Indirect

#### PHYSICAL

Shape: Rectangle  
 Length (mm): 1760  
 Length (in): 69 3/4  
 Width (mm): 1060  
 Width (in): 41 3/4  
 Height (mm): 91  
 Height (in): 3 9/16  
 Max. Overall Height (mm): 2091  
 Max. Overall Height (in): 82 3/16  
 Weight (kg): 6.2  
 Weight (lbs): 13.67

Diffuser: [PMMA - Opal / Clear / Microprism / Clear Microprism / Wallwash Double Asymmetric / Glare Control / Black Raster / Black Raster / Wallwash Left / Wallwash Right](#)

Fixture Finish: [SSR / BKV / CWI / CRY / HAB / UFT / ITA / RUA / FTG / MYG / LOD / PUS / FRO / FUP / KIA / POP / BLS / SPG / MEY / GOH / CHC / COM / ABZ / JAG / OBR / MOS / ROR](#)

Holder Finish: [SSR / BKV / CWI / CRY / HAB / LAG / UFT / ITA / RUA / RUR / MIC / FTG / MYG / TWT / LOD / PUS / FRO / FUP / KIA / POP / BLS / SPG / MEY / GOH / GUM / CHC / COM / ABZ / JAG](#)

Accent Finish: [OPL / MPM / CMP / BKR / WHR / GCL / WWR / WWL / WDA](#)

Acoustic Finish: [SFW / CYW / SEE / SYN / MTS / PMB / TTN / CYB / STO / DPE / BES / SHB / ARE / ANE / VRD / CRF](#)

Fixture Material: [Acoustic / Aluminum / PMMA](#)

Primary Material: [Acoustic](#)

Cable Details: [2000mm/78 3/4" or 6000mm/236 1/4" Cable, - Transparent](#)

#### ELECTRICAL

Lamp Type: LED  
 Input Wattage (W): 47.3  
 Total Output Wattage (W): 42.7  
 Dimming: [Non-dimming / DALI Dimming / MATTER Dimming](#)  
 Driver Included: No  
 Driver Location: Remote  
 Driver Class: Class 2  
 Input Voltage (V): 120 - 277  
 Upon Request: [0 - 10V Dimming / Phase Dimming](#)

#### LED

Color Temperature (°K): [2700 / 3000 / 3500 / 4000](#)  
 Max. Delivered Lumen (lm): Max 6567  
 Nominal Lumen (lm): Max 7840  
 CRI: >90 CRI  
 Lamp Life (hrs): 50000

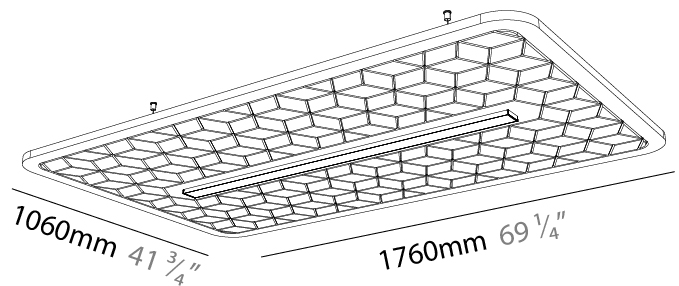
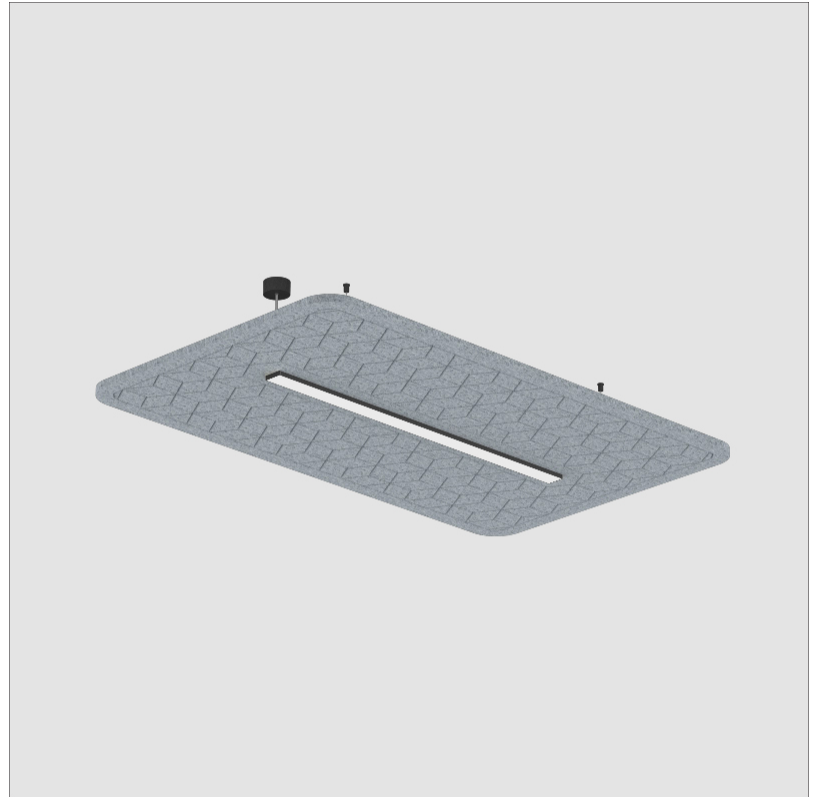
#### OPTICAL

#### RATINGS AND CERTIFICATIONS

Certified By: Certified for North American Standards

IP Rating: [IP20](#) © 2026, T 1800-388-3382, F 416-247-9319, www.zaneen.com

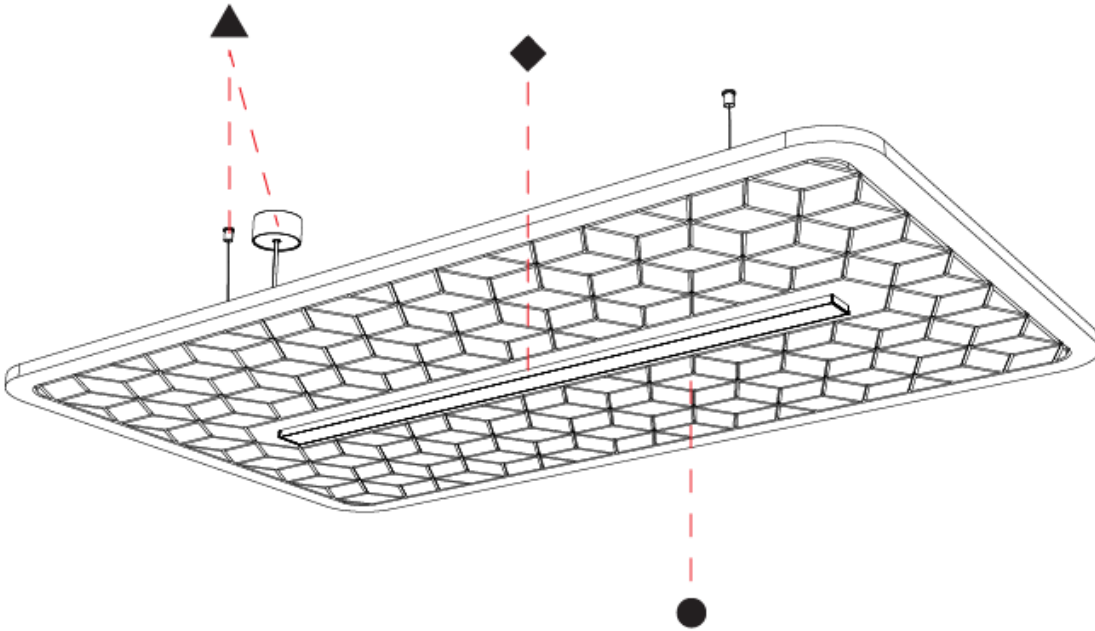
Available for International specifications by adding 'INT' at the end of the existing Model #. For assistance on 'custom' specifications, contact zteam@zaneen.com. In a constant effort to supply the best product, we reserve the right to change specifications or materials without notice. The most recent specification sheets are found at zaneen.com



## SERENII SUSPENSION

A3001170-

|           |       |
|-----------|-------|
| PROJECT   | _____ |
| TYPE      | _____ |
| SPECIFIER | _____ |
| QUANTITY  | _____ |
| DATE      | _____ |



A

## SERENII SUSPENSION

### A3001173-

base number      Color Temperature      Finishes (Diamond)      Finishes (Triangle)      Acoustic Options      Cable Length      Diffuser Options

- To build a product code in our configurator select the specify button on the base model # product page
- To build a manual product code on this datasheet choose from the options listed below in blue font and add the suffix to the base model #

#### GENERAL

Series: Serenii  
 Partner: Prolicht  
 Division: Architectural  
 Installation: Suspension  
 Product Type: Acoustic  
 Mounting Location: Ceiling  
 Light Distribution: Direct

#### PHYSICAL

Shape: Rectangle  
 Length (mm): 2320  
 Length (in): 91 <sup>3</sup>/<sub>8</sub>  
 Width (mm): 1060  
 Width (in): 41 <sup>3</sup>/<sub>4</sub>  
 Height (mm): 91  
 Height (in): 3 <sup>9</sup>/<sub>16</sub>  
 Max. Overall Height (mm): 2091  
 Max. Overall Height (in): 82 <sup>7</sup>/<sub>16</sub>  
 Weight (kg): 8.3  
 Weight (lbs): 18.30

Diffuser: [PMMA - Opal / Clear / Microprism / Clear Microprism / Wallwash Double Asymmetric / Glare Control / Black Raster / Black Raster / Wallwash Left / Wallwash Right](#)

Fixture Finish: [SSR / BKV / CWI / CRY / HAB / UFT / ITA / RUA / FTG / MYG / LOD / PUS / FRO / FUP / KIA / POP / BLS / SPG / MEY / GOH / CHC / COM / ABZ / JAG / OBR / MOS / ROR](#)

Holder Finish: [SSR / BKV / CWI / CRY / HAB / LAG / UFT / ITA / RUA / RUR / MIC / FTG / MYG / TWT / LOD / PUS / FRO / FUP / KIA / POP / BLS / SPG / MEY / GOH / GUM / CHC / COM / ABZ / JAG](#)

Accent Finish: [OPL / MPM / CMP / BKR / WHR / GCL / WWR / WWL / WDA](#)

Acoustic Finish: [SFW / CYW / SEE / SYN / MTS / PMB / TTN / CYB / STO / DPE / BES / SHB / ARE / ANE / VRD / CRF](#)

Fixture Material: [Acoustic / Aluminum / PMMA](#)

Primary Material: [Acoustic](#)

Cable Details: [2000mm/78 3/4" or 6000mm/236 1/4" Cable, - Transparent](#)

#### ELECTRICAL

Lamp Type: LED  
 Input Wattage (W): 38.7  
 Total Output Wattage (W): 35.5  
 Dimming: [Non-dimming / DALI Dimming / MATTER Dimming](#)  
 Driver Included: No  
 Driver Location: Remote  
 Driver Class: Class 2  
 Input Voltage (V): 120 - 277  
 Upon Request: [0 - 10V Dimming / Phase Dimming](#)

#### LED

Color Temperature (°K): [2700 / 3000 / 3500 / 4000](#)  
 Max. Delivered Lumen (lm): Max 5540  
 Nominal Lumen (lm): Max 6420  
 CRI: >90 CRI  
 Lamp Life (hrs): 50000

#### OPTICAL

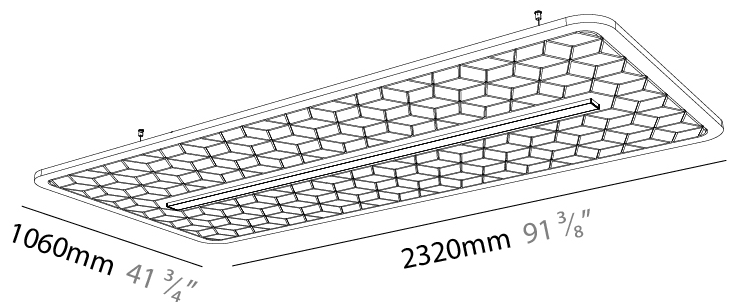
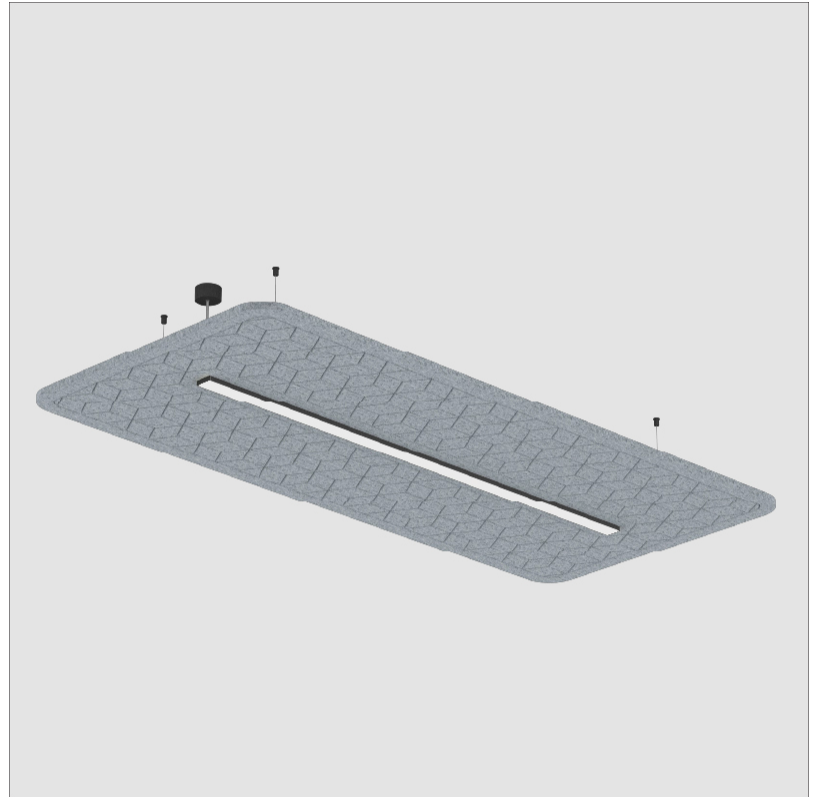
#### RATINGS AND CERTIFICATIONS

Certified By: Certified for North American Standards

IP Rating: [IP20](#) © 2026, T 1800-388-3382, F 416-247-9319, www.zaneen.com

Available for International specifications by adding 'INT' at the end of the existing Model #. For assistance on 'custom' specifications, contact zteam@zaneen.com. In a constant effort to supply the best product, we reserve the right to change specifications or materials without notice. The most recent specification sheets are found at zaneen.com

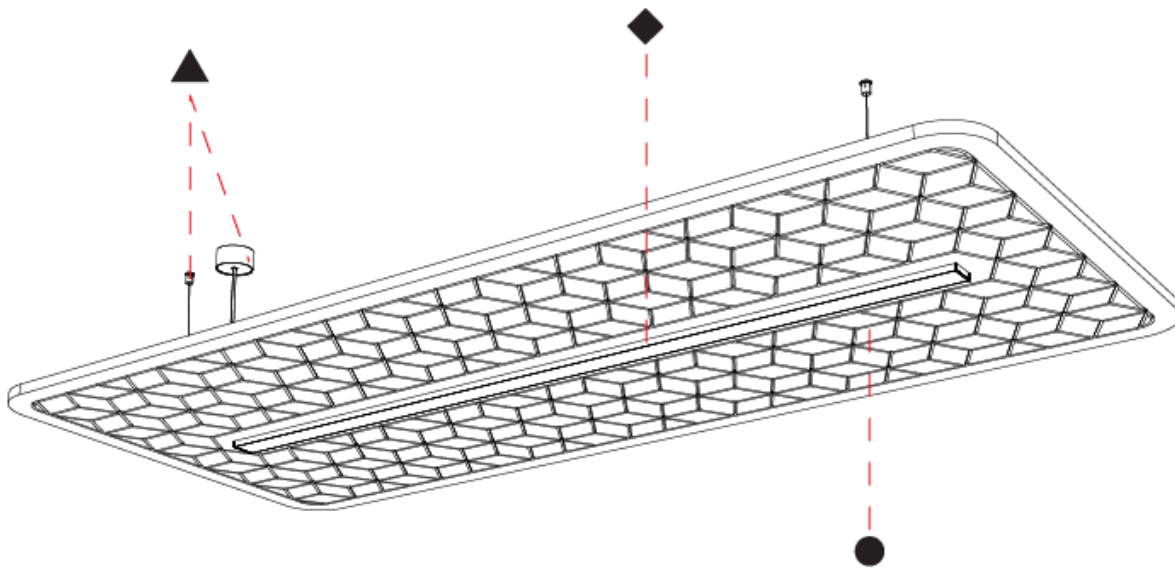
|           |
|-----------|
| PROJECT   |
| TYPE      |
| SPECIFIER |
| QUANTITY  |
| DATE      |



## SERENII SUSPENSION

A3001173-

|           |       |
|-----------|-------|
| PROJECT   | _____ |
| TYPE      | _____ |
| SPECIFIER | _____ |
| QUANTITY  | _____ |
| DATE      | _____ |



A

## SERENII SUSPENSION

### A3001174-

base number      Color Temperature      Finishes (Diamond)      Finishes (Triangle)      Acoustic Options      Cable Length      Diffuser Options

1. To build a product code in our configurator select the specify button on the base model # product page
2. To build a manual product code on this datasheet choose from the options listed below in blue font and add the suffix to the base model #

#### GENERAL

Series: Serenii  
 Partner: Prolicht  
 Division: Architectural  
 Installation: Suspension  
 Product Type: Acoustic  
 Mounting Location: Ceiling  
 Light Distribution: Direct / Indirect

#### PHYSICAL

Shape: Rectangle  
 Length (mm): 2320  
 Length (in): 91 <sup>3</sup>/<sub>8</sub>  
 Width (mm): 1060  
 Width (in): 41 <sup>3</sup>/<sub>4</sub>  
 Height (mm): 91  
 Height (in): 3 <sup>9</sup>/<sub>16</sub>  
 Max. Overall Height (mm): 2091  
 Max. Overall Height (in): 82 <sup>7</sup>/<sub>16</sub>  
 Weight (kg): 6.2  
 Weight (lbs): 13.67

Diffuser: [PMMA - Opal / Clear / Microprism / Clear Microprism / Wallwash Double Asymmetric / Glare Control / Black Raster / Black Raster / Wallwash Left / Wallwash Right](#)

Fixture Finish: [SSR / BKV / CWI / CRY / HAB / UFT / ITA / RUA / FTG / MYG / LOD / PUS / FRO / FUP / KIA / POP / BLS / SPG / MEY / GOH / CHC / COM / ABZ / JAG / OBR / MOS / ROR](#)

Holder Finish: [SSR / BKV / CWI / CRY / HAB / LAG / UFT / ITA / RUA / RUR / MIC / FTG / MYG / TWT / LOD / PUS / FRO / FUP / KIA / POP / BLS / SPG / MEY / GOH / GUM / CHC / COM / ABZ / JAG](#)

Accent Finish: [OPL / MPM / CMP / BKR / WHR / GCL / WWR / WWL / WDA](#)

Acoustic Finish: [SFW / CYW / SEE / SYN / MTS / PMB / TTN / CYB / STO / DPE / BES / SHB / ARE / ANE / VRD / CRF](#)

Fixture Material: [Acoustic / Aluminum / PMMA](#)

Primary Material: [Acoustic](#)

Cable Details: [2000mm/78 3/4" or 6000mm/236 1/4" Cable, - Transparent](#)

#### ELECTRICAL

Lamp Type: LED  
 Input Wattage (W): 73.1  
 Total Output Wattage (W): 66.3  
 Dimming: [Non-dimming / DALI Dimming / MATTER Dimming](#)  
 Driver Included: No  
 Driver Location: Remote  
 Driver Class: Class 2  
 Input Voltage (V): 120 - 277  
 Upon Request: [0 - 10V Dimming / Phase Dimming](#)

#### LED

Color Temperature (°K): [2700 / 3000 / 3500 / 4000](#)  
 Max. Delivered Lumen (lm): Max 10140  
 Nominal Lumen (lm): Max 12120  
 CRI: >90 CRI  
 Lamp Life (hrs): 50000

#### OPTICAL

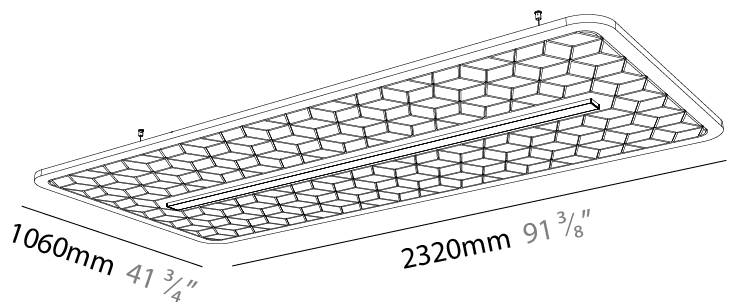
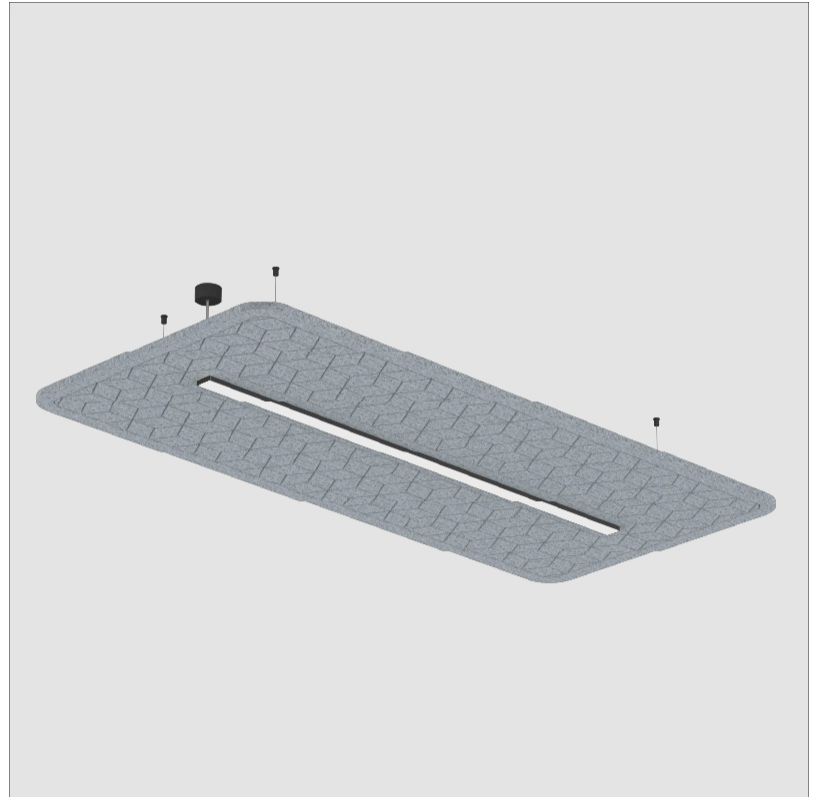
#### RATINGS AND CERTIFICATIONS

Certified By: Certified for North American Standards

IP Rating: [IP20](#) © 2026, T 1800-388-3382, F 416-247-9319, www.zaneen.com

Available for International specifications by adding 'INT' at the end of the existing Model #. For assistance on 'custom' specifications, contact zteam@zaneen.com. In a constant effort to supply the best product, we reserve the right to change specifications or materials without notice. The most recent specification sheets are found at zaneen.com

|           |
|-----------|
| PROJECT   |
| TYPE      |
| SPECIFIER |
| QUANTITY  |
| DATE      |



## SERENII SUSPENSION

A3001174-

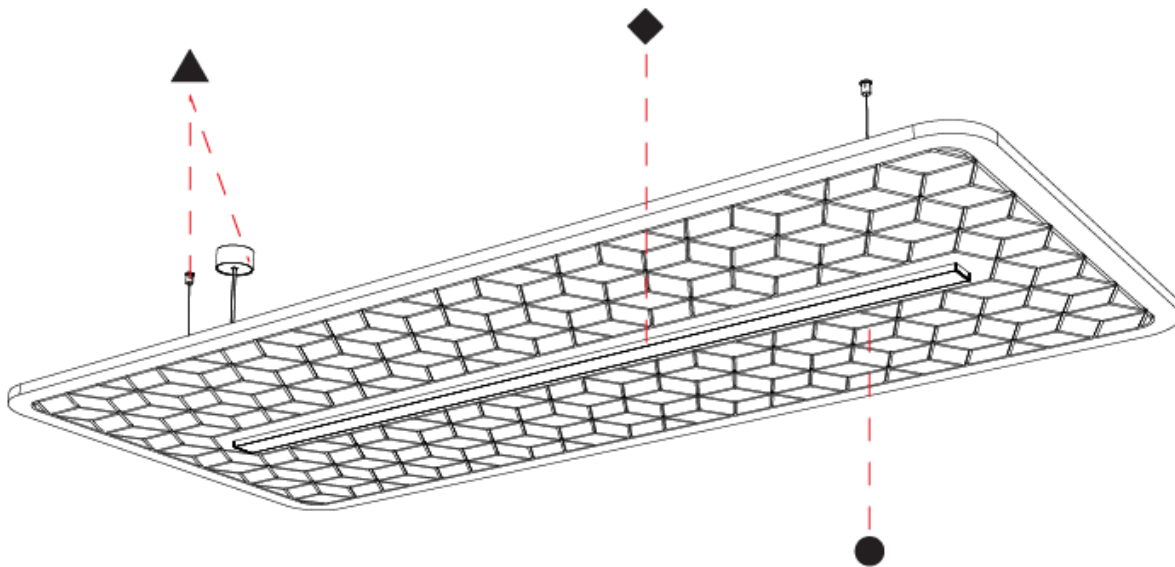
PROJECT \_\_\_\_\_

TYPE \_\_\_\_\_

SPECIFIER \_\_\_\_\_

QUANTITY \_\_\_\_\_

DATE \_\_\_\_\_



A



PROJECT

TYPE

SPECIFIER

QUANTITY

DATE

### Accent Finish

**Digital:** Not all screens are calibrated the same, and therefore, colors will appear differently between screens.

**Physical:** When texture is involved, there will be variations in color, character and tone within a product series and between product families.

**Champagne Cream, Copper Mine, Ancient Bronze + Jazz Gold:** These finishes have slight fading from specific powder coating production. Each luminaire will slightly vary.



## SERENII SUSPENSION COLOR FINISH CHART

PROJECT \_\_\_\_\_

TYPE \_\_\_\_\_

SPECIFIER \_\_\_\_\_

QUANTITY \_\_\_\_\_

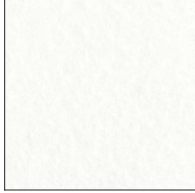
DATE \_\_\_\_\_

### Acoustic Finish

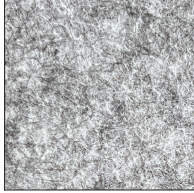
Snowfall White - 44 (SFW)



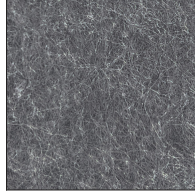
Creamy White - 97 (CYW)



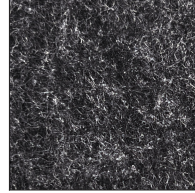
Stone Echo - 83 (SEE)



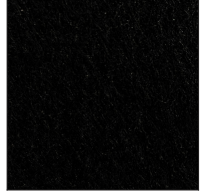
Smoky Iron - 50 (SYN)



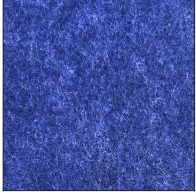
Midnight Stone - 51 (MTS)



Phantom Black - 71 (PMB)



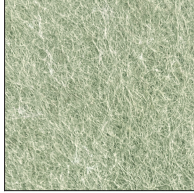
Twilight Navy - 69 (TTN)



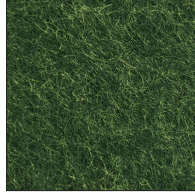
Cloudy Blue - 73 (CYB)



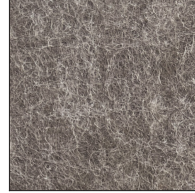
Soft Olive - 82 (STO)



Deep Evergreen - 91 (DPE)



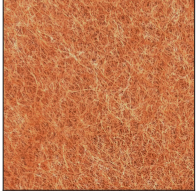
Bronze Shadow - 87 (BES)



Savannah Brown - 42 (SHB)



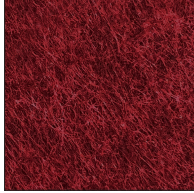
Amber Earth - 55 (ARE)



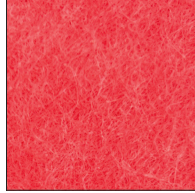
Autumn Ember - 90 (ANE)



Vintage Red - 99 (VRD)



Coral Reef - 98 (CRF)






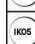






### LEGEND

|  |   |   |  |   |  |
|--|---|---|--|---|--|
|    | floor-mounted   |    | pivotal  |    | special LED (upon request) RGB, RGBW, tunable, gold+, meat+, art+, fashion+                    |
|    | wall and ceiling: recessed and surface mounted            |    | rotating   |    | warm dim / natural dimming LED   |
|    | ceiling-mounted and wall-mounted                          |    | illuminate tilted  |    | rechargeable battery powered   |
|    | wall-mounted  |    | color of suspension cable                                    |    | fixture with natural vivid LED (upon request)  |
|    | omni-directional light distribution                       |    | length of suspension cable                                   |    | color rendering index  |
|    | direct light distribution                                 |    | reflector degree selection                                   |    | color temperature  |
|    | direct/indirect light distribution                        |    | super spot   |    | lumen (luminous flux)  |
|    | indirect light distribution                               |    | lens   |    | efficacy (lumens per watt)   |
|    | asymmetric light distribution                             |    | lens pack  |    | Unified Glare Rating (UGR) range from 5-40   |
|    | aura light distribution                                   |    | shine ring   |    | marine grade (AISI 316 stainless steel)  |
|    | round wall or ceiling cut-out                             |    | integrated shine ring with diffuser                          |    | walk on  |
|    | square wall or ceiling cut-out                            |    | free individual colors 01-29                                 |    | drive on   |
|    | the supplied jig specifies the cutout dimensions          |    | individual colors: 00 (free of charge), 01-25 (extra charge) |    | Dark Sky Compliance  |
|    | minimum distance (meters) lamp - object                   |    | luminaire part to be colored (F1)                            |    | Americans with Disabilities Act (less than 4" off the wall located between 27"-84" from floor) |
|    | recessed depth  |    | luminaire part to be colored (F2)                            |    | lamp protected against explosion   |
|   | ceiling thickness in mm                                   |   | luminaire part to be colored (F3)                            |   | blown glass using traditional methods by master glass blower                                   |
|  | ceiling thickness selection                               |  | luminaire part to be colored (F4)                            |  | acoustic material  |
|  | dimmable DP (phase), DV (0-10V), DD (dali), DS (step-dim) |  | luminaire part to be colored (F5)                            |  | protection class I, protection insulation  |
|  | included or excluded LED driver/transformer/control gear  |  | color of 3-circuit adaptor                                   |  | protection class II, protection insulation   |
|  | separately switchable                                     |  | indirect diffuser  |  | ETL Certified to UL and CSA Standards  |
|  | sensor  |  | direct diffuser  |  | UL Certified to UL and CSA Standards   |
|  | remote control  |  | ball-proof (upon request)                                    |  | CSA Certified to UL and CSA Standards  |
|  | available upon request                                    |  | accessory  |  | Certified for North American Standards   |

### IP RATING

|   |  |
|---|--|
|  | protected against ingress of solid bodies greater than 12.5mm (finger)   |
|  | protected against ingress of solid bodies greater than 2.5mm<br>protected against sprays of water up to 60 degrees from the vertical (rain)      |
|  | protected against ingress of solid bodies greater than 1mm (wire)<br>no protection against the ingress of moisture                               |
|  | protected against ingress of solid bodies greater than 1mm (wire)<br>protected against sprays of water up to 60 degrees from the vertical (rain) |
|  | protected against ingress of solid bodies greater than 1mm (wire)<br>protected against water splashed from all directions                        |
|  | protected against limited ingress of dust (wet rooms/covered outdoor areas)<br>protected against water splashed from all directions              |
|  | protected against ingress of dust<br>protected against jets of water   |
|  | protected against ingress of dust<br>protected against powerful jets of water or heavy seas  |
|  | protected against ingress of dust<br>protected against immersion of water between 15cm - 1m for 30 minutes                                       |
|  | protected against ingress of dust<br>protected against immersion of water under pressure for long periods  |

### IK RATING

|   |   |
|---|---|
|  | protected against 0.14 joules impact (equivalent to 0.25kg mass dropped from 56mm above the surface)  |
|  | protected against 0.2 joules impact (equivalent to 0.25kg mass dropped from 80mm above the surface)   |
|  | protected against 0.35 joules impact (equivalent to 0.25kg mass dropped from 140mm above the surface) |
|  | protected against 0.5 joules impact (equivalent to 0.25kg mass dropped from 200mm above the surface)  |
|  | protected against 0.7 joules impact (equivalent to 0.25kg mass dropped from 280mm above the surface)  |
|  | protected against 1 joules impact (equivalent to 0.25kg mass dropped from 400mm above the surface)    |
|  | protected against 2 joules impact (equivalent to 0.5kg mass dropped from 400mm above the surface)     |
|  | protected against 5 joules impact (equivalent to 1.7kg mass dropped from 300mm above the surface)     |
|  | protected against 10 joules impact (equivalent to 5.0kg mass dropped from 200mm above the surface)    |
|  | protected against 20 joules impact (equivalent to 5.0kg mass dropped from 400mm above the surface)    |