

## SOLIDO POST

### E15B000-

base number \_\_\_\_\_ Color \_\_\_\_\_  
 Temperature \_\_\_\_\_

- To build a product code in our configurator select the specify button on the base model # product page
- To build a manual product code on this datasheet choose from the options listed below in blue font and add the suffix to the base model #

#### GENERAL

Series: Solido \_\_\_\_\_  
 Partner: Diamante \_\_\_\_\_  
 Division: Exterior \_\_\_\_\_  
 Installation: Post \_\_\_\_\_  
 Product Type: Bollard - Mini \_\_\_\_\_  
 Mounting Location: Above Ground \_\_\_\_\_  
 Light Distribution: Direct \_\_\_\_\_

#### PHYSICAL

Shape: Rectangle \_\_\_\_\_  
 Length (mm): 160 \_\_\_\_\_  
 Length (in): 6 <sup>5</sup>/<sub>16</sub> \_\_\_\_\_  
 Width (mm): 85 \_\_\_\_\_  
 Width (in): 3 <sup>3</sup>/<sub>8</sub> \_\_\_\_\_  
 Height (mm): 294 \_\_\_\_\_  
 Height (in): 11 <sup>9</sup>/<sub>16</sub> \_\_\_\_\_  
 Weight (kg): 2.1 \_\_\_\_\_  
 Diffuser: PMMA - Opal \_\_\_\_\_  
 Fixture Finish: ANB \_\_\_\_\_  
 Fixture Material: Aluminum Alloy \_\_\_\_\_  
 Cable Details: Supplied with one power supply cable 0.8m in length \_\_\_\_\_  
 Upon Request: Bolt Down \_\_\_\_\_

#### ELECTRICAL

Lamp Type: LED \_\_\_\_\_  
 Input Wattage (W): 2.5 \_\_\_\_\_  
 Total Output Wattage (W): 2.1 \_\_\_\_\_  
 Dimming: Non-dimming / DALI Dimming / DMX \_\_\_\_\_  
 Driver Included: No \_\_\_\_\_  
 Driver Location: Remote \_\_\_\_\_  
 Driver Type: Constant Voltage - Universal \_\_\_\_\_  
 Driver Class: Class 2 \_\_\_\_\_  
 Input Voltage (V): 120 - 277 \_\_\_\_\_  
 Output Voltage (V): 24 \_\_\_\_\_  
 Upon Request: 0-10V Dimming \_\_\_\_\_

#### LED

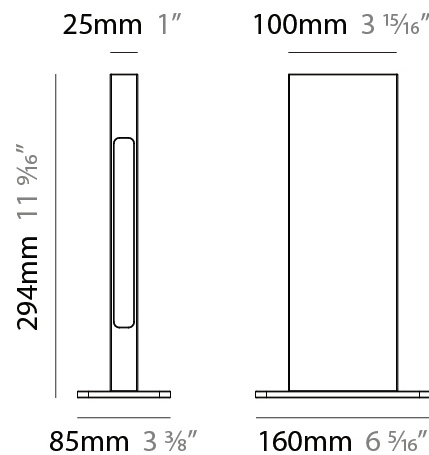
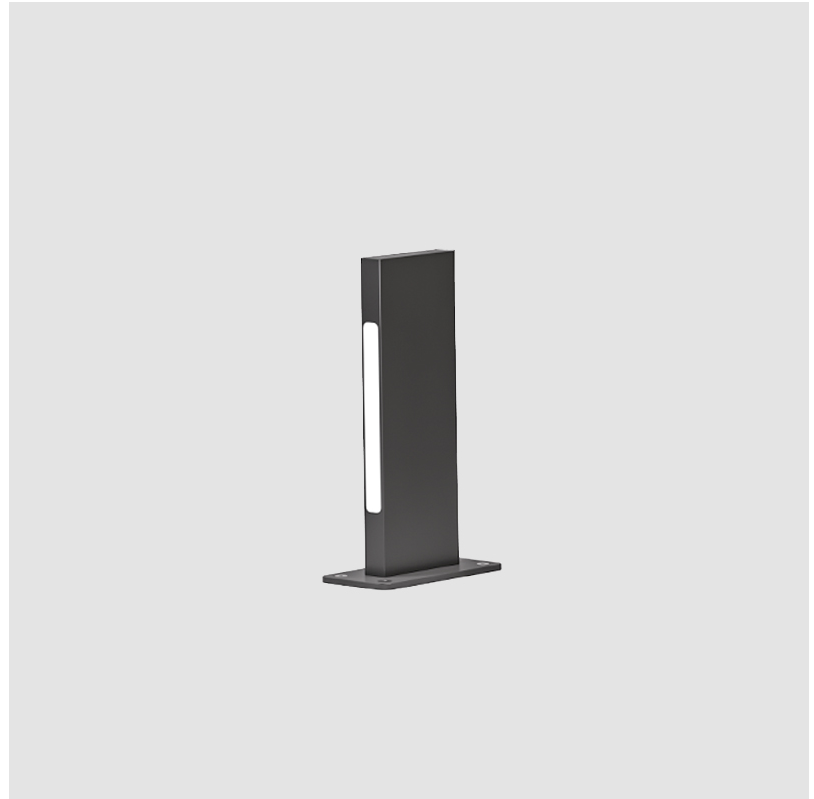
Number of LEDs: 30 \_\_\_\_\_  
 Color Temperature (°K): 3000 / 4000 / 6000 \_\_\_\_\_  
 Max. Delivered Lumen (lm): 200 / 220 / 240 \_\_\_\_\_  
 Nominal Lumen (lm): 325 / 360 / 390 \_\_\_\_\_  
 CRI: >80 CRI \_\_\_\_\_  
 Lamp Life (hrs): 50000 \_\_\_\_\_

#### OPTICAL

Beam Angle: 120 \_\_\_\_\_

#### RATINGS AND CERTIFICATIONS

Certified By: Certified for North American Standards \_\_\_\_\_  
 IP rating: IP66 \_\_\_\_\_  
 IK Rating: IK08 \_\_\_\_\_



## SOLIDO POST

### E15B001-

base number \_\_\_\_\_ Color \_\_\_\_\_  
 \_\_\_\_\_ Temperature \_\_\_\_\_

- To build a product code in our configurator select the specify button on the base model # product page
- To build a manual product code on this datasheet choose from the options listed below in blue font and add the suffix to the base model #

#### GENERAL

Series: Solido \_\_\_\_\_  
 Partner: Diamante \_\_\_\_\_  
 Division: Exterior \_\_\_\_\_  
 Installation: Post \_\_\_\_\_  
 Product Type: Bollard - Mini \_\_\_\_\_  
 Mounting Location: Above Ground \_\_\_\_\_  
 Light Distribution: Direct \_\_\_\_\_

#### PHYSICAL

Shape: Rectangle \_\_\_\_\_  
 Length (mm): 160 \_\_\_\_\_  
 Length (in): 6 <sup>3</sup>/<sub>16</sub> \_\_\_\_\_  
 Width (mm): 85 \_\_\_\_\_  
 Width (in): 3 <sup>3</sup>/<sub>8</sub> \_\_\_\_\_  
 Height (mm): 494 \_\_\_\_\_  
 Height (in): 19 <sup>7</sup>/<sub>16</sub> \_\_\_\_\_  
 Weight (kg): 2.1 \_\_\_\_\_  
 Diffuser: PMMA - Opal \_\_\_\_\_  
 Fixture Finish: ANB \_\_\_\_\_  
 Fixture Material: Aluminum Alloy \_\_\_\_\_  
 Cable Details: Supplied with one power supply cable 0.8m in length \_\_\_\_\_  
 Upon Request: Bolt Down \_\_\_\_\_

#### ELECTRICAL

Lamp Type: LED \_\_\_\_\_  
 Input Wattage (W): 6 \_\_\_\_\_  
 Total Output Wattage (W): 5.1 \_\_\_\_\_  
 Dimming: Non-dimming / DALI Dimming / DMX \_\_\_\_\_  
 Driver Included: No \_\_\_\_\_  
 Driver Location: Remote \_\_\_\_\_  
 Driver Type: Constant Voltage - Universal \_\_\_\_\_  
 Driver Class: Class 2 \_\_\_\_\_  
 Input Voltage (V): 120 - 277 \_\_\_\_\_  
 Output Voltage (V): 24 \_\_\_\_\_  
 Upon Request: 0-10V Dimming \_\_\_\_\_

#### LED

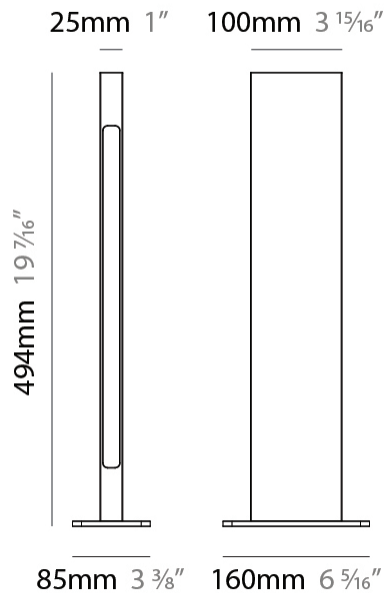
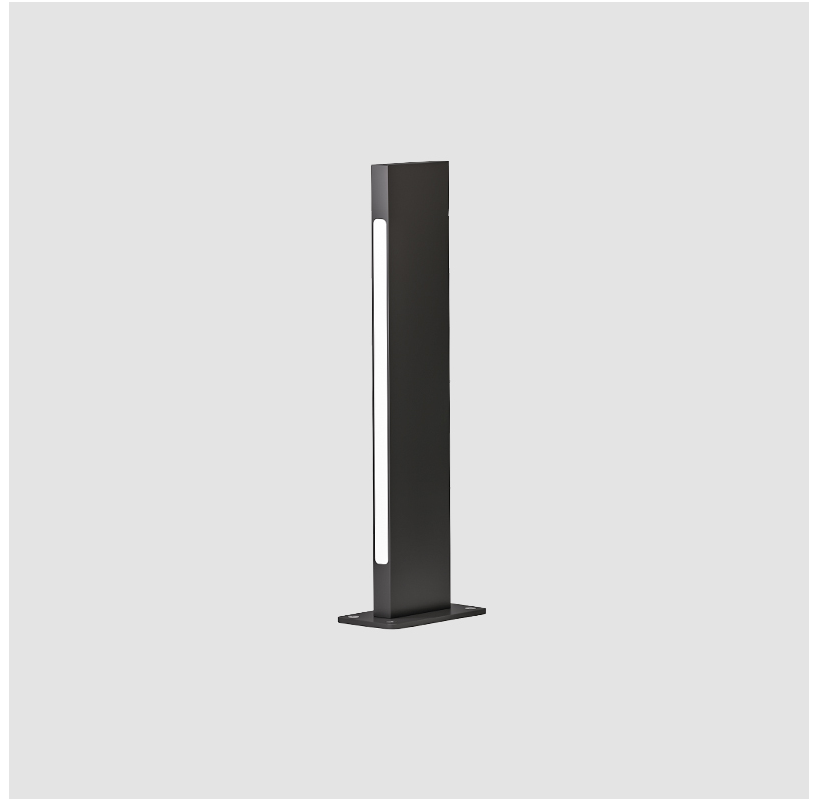
Number of LEDs: 72 \_\_\_\_\_  
 Color Temperature (°K): 3000 / 4000 / 6000 \_\_\_\_\_  
 Max. Delivered Lumen (lm): 480 / 530 / 580 \_\_\_\_\_  
 Nominal Lumen (lm): 775 / 860 / 935 \_\_\_\_\_  
 CRI: >80 CRI \_\_\_\_\_  
 Lamp Life (hrs): 50000 \_\_\_\_\_

#### OPTICAL

Beam Angle: 120 \_\_\_\_\_

#### RATINGS AND CERTIFICATIONS

Certified By: Certified for North American Standards \_\_\_\_\_  
 IP rating: IP66 \_\_\_\_\_  
 IK Rating: IK10 \_\_\_\_\_



## SOLIDO POST

### E15B002-

base number \_\_\_\_\_ Color \_\_\_\_\_  
 Temperature \_\_\_\_\_

- To build a product code in our configurator select the specify button on the base model # product page
- To build a manual product code on this datasheet choose from the options listed below in blue font and add the suffix to the base model #

#### GENERAL

Series: Solido \_\_\_\_\_  
 Partner: Diamante \_\_\_\_\_  
 Division: Exterior \_\_\_\_\_  
 Installation: Post \_\_\_\_\_  
 Product Type: Bollard \_\_\_\_\_  
 Mounting Location: Above Ground \_\_\_\_\_  
 Light Distribution: Direct \_\_\_\_\_

#### PHYSICAL

Shape: Rectangle \_\_\_\_\_  
 Length (mm): 160 \_\_\_\_\_  
 Length (in): 6 <sup>5</sup>/<sub>16</sub> \_\_\_\_\_  
 Width (mm): 85 \_\_\_\_\_  
 Width (in): 3 <sup>3</sup>/<sub>8</sub> \_\_\_\_\_  
 Height (mm): 794 \_\_\_\_\_  
 Height (in): 31 <sup>1</sup>/<sub>4</sub> \_\_\_\_\_  
 Weight (kg): 3.1 \_\_\_\_\_  
 Diffuser: PMMA - Opal \_\_\_\_\_  
 Fixture Finish: ANB \_\_\_\_\_  
 Fixture Material: Aluminum Alloy \_\_\_\_\_  
 Cable Details: Supplied with one power supply cable 0.8m in length \_\_\_\_\_

#### ELECTRICAL

Lamp Type: LED \_\_\_\_\_  
 Input Wattage (W): 11 \_\_\_\_\_  
 Total Output Wattage (W): 9.35 \_\_\_\_\_  
 Dimming: Non-dimming / DALI Dimming / DMX \_\_\_\_\_  
 Driver Included: No \_\_\_\_\_  
 Driver Location: Remote \_\_\_\_\_  
 Driver Type: Constant Voltage - Universal \_\_\_\_\_  
 Driver Class: Class 2 \_\_\_\_\_  
 Input Voltage (V): 120 - 277 \_\_\_\_\_  
 Output Voltage (V): 24 \_\_\_\_\_  
 Upon Request: 0-10V Dimming \_\_\_\_\_

#### LED

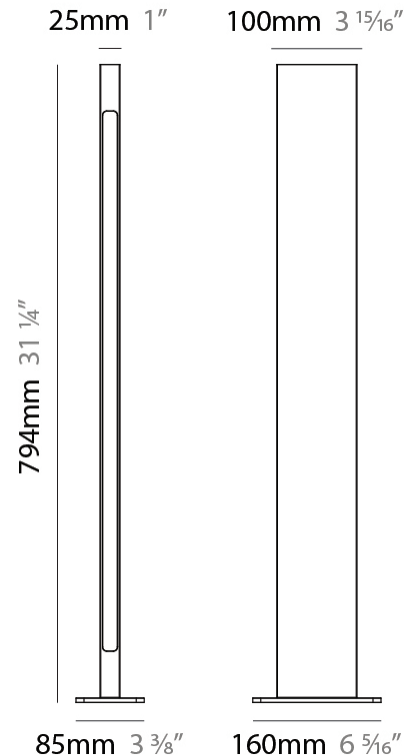
Number of LEDs: 132 \_\_\_\_\_  
 Color Temperature (°K): 3000 / 4000 / 6000 \_\_\_\_\_  
 Max. Delivered Lumen (lm): 880 / 975 / 1060 \_\_\_\_\_  
 Nominal Lumen (lm): 1420 / 1575 / 1715 \_\_\_\_\_  
 CRI: >80 CRI \_\_\_\_\_  
 Lamp Life (hrs): 50000 \_\_\_\_\_

#### OPTICAL

Beam Angle: 120 \_\_\_\_\_

#### RATINGS AND CERTIFICATIONS

Certified By: Certified for North American Standards \_\_\_\_\_  
 IP rating: IP66 \_\_\_\_\_  
 IK Rating: IK10 \_\_\_\_\_



## SOLIDO POST

### E15B003-

base number \_\_\_\_\_ Color \_\_\_\_\_  
 Temperature \_\_\_\_\_

- To build a product code in our configurator select the specify button on the base model # product page
- To build a manual product code on this datasheet choose from the options listed below in blue font and add the suffix to the base model #

#### GENERAL

Series: Solido \_\_\_\_\_  
 Partner: Diamante \_\_\_\_\_  
 Division: Exterior \_\_\_\_\_  
 Installation: Post \_\_\_\_\_  
 Product Type: Pedestrian Posts \_\_\_\_\_  
 Mounting Location: Above Ground \_\_\_\_\_  
 Light Distribution: Direct \_\_\_\_\_

#### PHYSICAL

Shape: Rectangle \_\_\_\_\_  
 Length (mm): 160 \_\_\_\_\_  
 Length (in): 6 <sup>3</sup>/<sub>16</sub> \_\_\_\_\_  
 Width (mm): 85 \_\_\_\_\_  
 Width (in): 3 <sup>3</sup>/<sub>8</sub> \_\_\_\_\_  
 Height (mm): 2206 \_\_\_\_\_  
 Height (in): 86 <sup>7</sup>/<sub>8</sub> \_\_\_\_\_  
 Weight (kg): 13.5 \_\_\_\_\_  
 Diffuser: PMMA - Opal \_\_\_\_\_  
 Fixture Finish: ANB \_\_\_\_\_  
 Fixture Material: Aluminum Alloy \_\_\_\_\_  
 Cable Details: Supplied with one power supply cable 0.8m in length \_\_\_\_\_

#### ELECTRICAL

Lamp Type: LED \_\_\_\_\_  
 Input Wattage (W): 34.5 \_\_\_\_\_  
 Total Output Wattage (W): 29.3 \_\_\_\_\_  
 Dimming: Non-dimming / DALI Dimming / DMX \_\_\_\_\_  
 Driver Included: No \_\_\_\_\_  
 Driver Location: Remote \_\_\_\_\_  
 Driver Type: Constant Voltage - Universal \_\_\_\_\_  
 Driver Class: Class 2 \_\_\_\_\_  
 Input Voltage (V): 120 - 277 \_\_\_\_\_  
 Output Voltage (V): 24 \_\_\_\_\_  
 Upon Request: 0-10V Dimming \_\_\_\_\_

#### LED

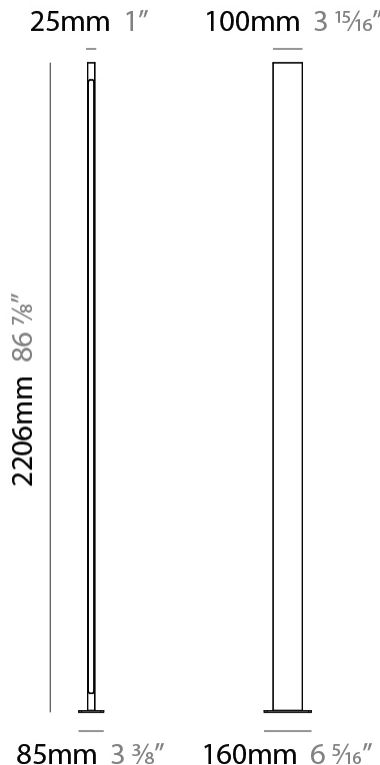
Number of LEDs: 420 \_\_\_\_\_  
 Color Temperature (°K): 3000 / 4000 / 6000 \_\_\_\_\_  
 Max. Delivered Lumen (lm): 2795 / 3100 / 3370 \_\_\_\_\_  
 Nominal Lumen (lm): 4525 / 5020 / 5450 \_\_\_\_\_  
 CRI: >80 CRI \_\_\_\_\_  
 Lamp Life (hrs): 50000 \_\_\_\_\_

#### OPTICAL

Beam Angle: 120 \_\_\_\_\_

#### RATINGS AND CERTIFICATIONS

Certified By: Certified for North American Standards \_\_\_\_\_  
 IP rating: IP66 \_\_\_\_\_  
 IK Rating: IK10 \_\_\_\_\_



## SOLIDO POST

### E15B004-

base number \_\_\_\_\_ Color \_\_\_\_\_  
 Temperature \_\_\_\_\_

- To build a product code in our configurator select the specify button on the base model # product page
- To build a manual product code on this datasheet choose from the options listed below in blue font and add the suffix to the base model #

#### GENERAL

Series: Solido \_\_\_\_\_  
 Partner: Diamante \_\_\_\_\_  
 Division: Exterior \_\_\_\_\_  
 Installation: Post \_\_\_\_\_  
 Product Type: Bollard - Mini \_\_\_\_\_  
 Mounting Location: Above Ground \_\_\_\_\_  
 Light Distribution: Direct \_\_\_\_\_

#### PHYSICAL

Shape: Rectangle \_\_\_\_\_  
 Length (mm): 160 \_\_\_\_\_  
 Length (in): 6 <sup>5</sup>/<sub>16</sub> \_\_\_\_\_  
 Width (mm): 85 \_\_\_\_\_  
 Width (in): 3 <sup>3</sup>/<sub>8</sub> \_\_\_\_\_  
 Height (mm): 294 \_\_\_\_\_  
 Height (in): 11 <sup>9</sup>/<sub>16</sub> \_\_\_\_\_  
 Weight (kg): 2.1 \_\_\_\_\_  
 Diffuser: PMMA - Opal \_\_\_\_\_  
 Fixture Finish: ANB \_\_\_\_\_  
 Fixture Material: Aluminum Alloy \_\_\_\_\_  
 Cable Details: Supplied with one power supply cable 0.8m in length \_\_\_\_\_  
 Upon Request: Bolt Down \_\_\_\_\_

#### ELECTRICAL

Lamp Type: LED \_\_\_\_\_  
 Input Wattage (W): 5 \_\_\_\_\_  
 Total Output Wattage (W): 4.25 \_\_\_\_\_  
 Dimming: Non-dimming / DALI Dimming / DMX \_\_\_\_\_  
 Driver Included: No \_\_\_\_\_  
 Driver Location: Remote \_\_\_\_\_  
 Driver Type: Constant Voltage - Universal \_\_\_\_\_  
 Driver Class: Class 2 \_\_\_\_\_  
 Input Voltage (V): 120 - 277 \_\_\_\_\_  
 Output Voltage (V): 24 \_\_\_\_\_  
 Upon Request: 0-10V Dimming \_\_\_\_\_

#### LED

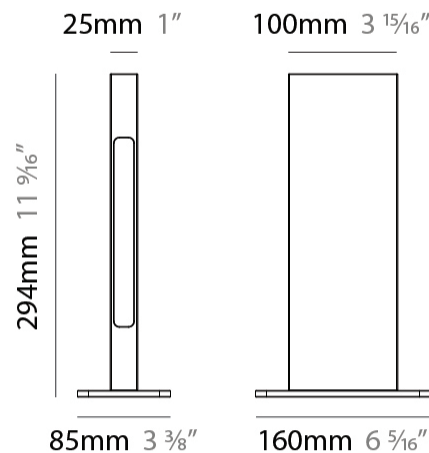
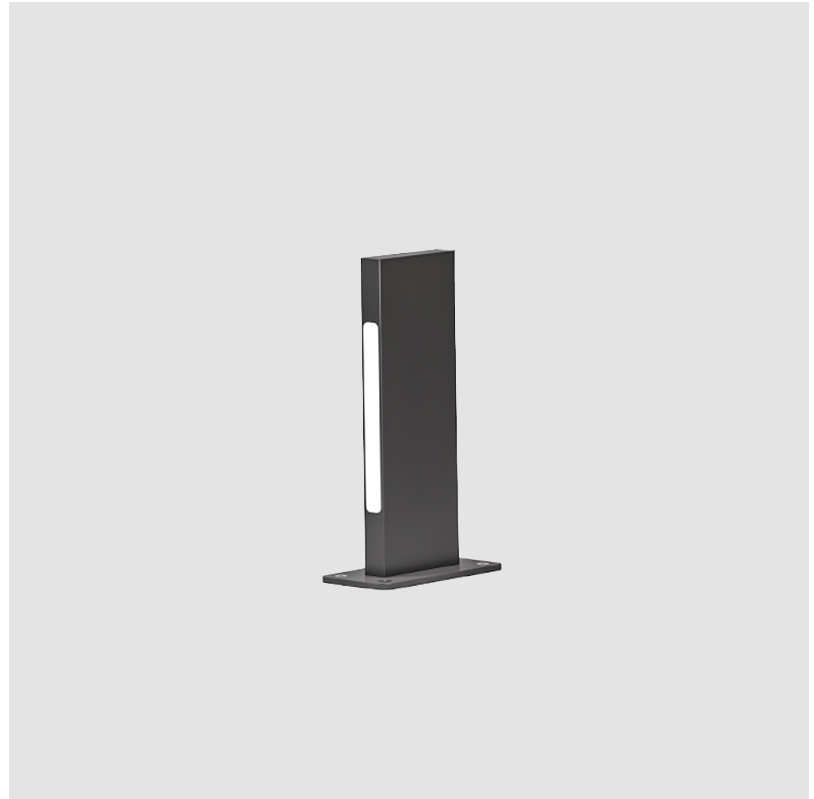
Number of LEDs: 60 \_\_\_\_\_  
 Color Temperature (°K): 3000 / 4000 / 6000 \_\_\_\_\_  
 Max. Delivered Lumen (lm): 400 / 445 / 480 \_\_\_\_\_  
 Nominal Lumen (lm): 645 / 715 / 780 \_\_\_\_\_  
 CRI: >80 CRI \_\_\_\_\_  
 Lamp Life (hrs): 50000 \_\_\_\_\_

#### OPTICAL

Beam Angle: 120 \_\_\_\_\_

#### RATINGS AND CERTIFICATIONS

Certified By: Certified for North American Standards \_\_\_\_\_  
 IP rating: IP66 \_\_\_\_\_  
 IK Rating: IK08 \_\_\_\_\_



|           |
|-----------|
| PROJECT   |
| TYPE      |
| SPECIFIER |
| QUANTITY  |
| DATE      |

## SOLIDO POST

### E15B005-

base number      Color  
Temperature

- To build a product code in our configurator select the specify button on the base model # product page
- To build a manual product code on this datasheet choose from the options listed below in blue font and add the suffix to the base model #

#### GENERAL

Series: Solido  
 Partner: Diamante  
 Division: Exterior  
 Installation: Post  
 Product Type: Bollard - Mini  
 Mounting Location: Above Ground  
 Light Distribution: Direct

#### PHYSICAL

Shape: Rectangle  
 Length (mm): 160  
 Length (in): 6 <sup>5</sup>/<sub>16</sub>  
 Width (mm): 85  
 Width (in): 3 <sup>3</sup>/<sub>8</sub>  
 Height (mm): 494  
 Height (in): 19 <sup>7</sup>/<sub>16</sub>  
 Weight (kg): 2.1  
 Diffuser: PMMA - Opal  
 Fixture Finish: ANB  
 Fixture Material: Aluminum Alloy  
 Cable Details: Supplied with one power supply cable 0.8m in length  
 Upon Request: Bolt Down

#### ELECTRICAL

Lamp Type: LED  
 Input Wattage (W): 12  
 Total Output Wattage (W): 10.2  
 Dimming: Non-dimming / DALI Dimming / DMX  
 Driver Included: No  
 Driver Location: Remote  
 Driver Type: Constant Voltage - Universal  
 Driver Class: Class 2  
 Input Voltage (V): 120 - 277  
 Output Voltage (V): 24  
 Upon Request: 0-10V Dimming

#### LED

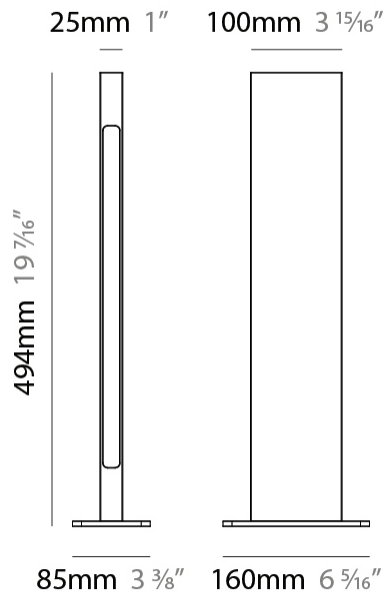
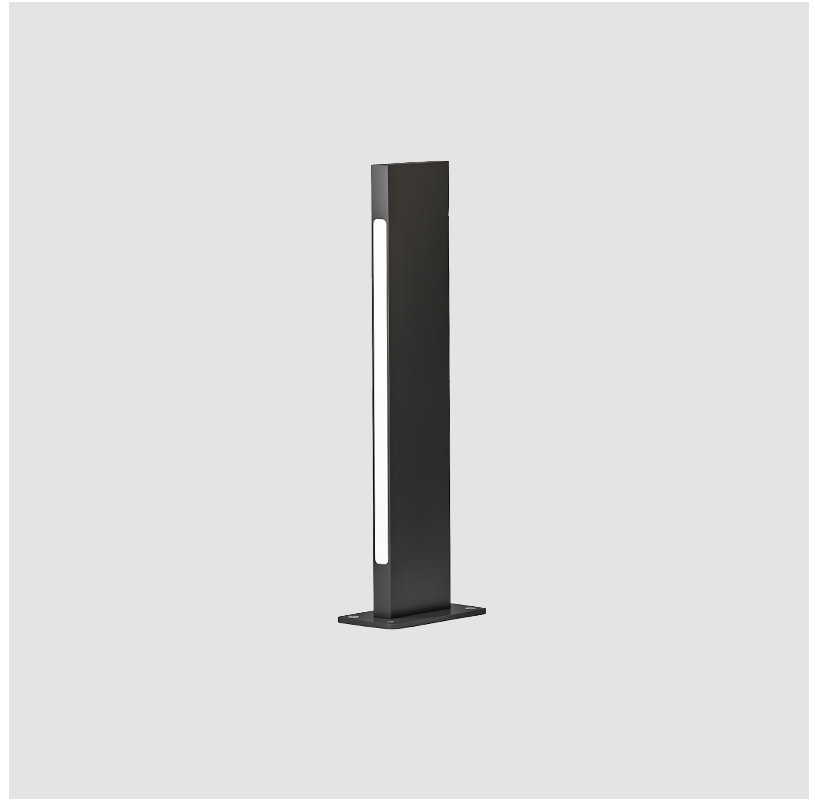
Number of LEDs: 144  
 Color Temperature (°K): 3000 / 4000 / 6000  
 Max. Delivered Lumen (lm): 960 / 1065 / 1155  
 Nominal Lumen (lm): 1550 / 1720 / 1870  
 CRI: >80 CRI  
 Lamp Life (hrs): 50000

#### OPTICAL

Beam Angle: 120

#### RATINGS AND CERTIFICATIONS

Certified By: Certified for North American Standards  
 IP rating: IP66  
 IK Rating: IK10



## SOLIDO POST

### E15B006-

base number \_\_\_\_\_ Color \_\_\_\_\_  
 Temperature \_\_\_\_\_

- To build a product code in our configurator select the specify button on the base model # product page
- To build a manual product code on this datasheet choose from the options listed below in blue font and add the suffix to the base model #

#### GENERAL

Series: Solido \_\_\_\_\_  
 Partner: Diamante \_\_\_\_\_  
 Division: Exterior \_\_\_\_\_  
 Installation: Post \_\_\_\_\_  
 Product Type: Bollard \_\_\_\_\_  
 Mounting Location: Above Ground \_\_\_\_\_  
 Light Distribution: Direct \_\_\_\_\_

#### PHYSICAL

Shape: Rectangle \_\_\_\_\_  
 Length (mm): 160 \_\_\_\_\_  
 Length (in): 6 <sup>5</sup>/<sub>16</sub> \_\_\_\_\_  
 Width (mm): 85 \_\_\_\_\_  
 Width (in): 3 <sup>3</sup>/<sub>8</sub> \_\_\_\_\_  
 Height (mm): 794 \_\_\_\_\_  
 Height (in): 31 <sup>1</sup>/<sub>4</sub> \_\_\_\_\_  
 Weight (kg): 5 \_\_\_\_\_  
 Diffuser: PMMA - Opal \_\_\_\_\_  
 Fixture Finish: ANB \_\_\_\_\_  
 Fixture Material: Aluminum Alloy \_\_\_\_\_  
 Cable Details: Supplied with one power supply cable 0.8m in length \_\_\_\_\_

#### ELECTRICAL

Lamp Type: LED \_\_\_\_\_  
 Input Wattage (W): 22 \_\_\_\_\_  
 Total Output Wattage (W): 18.7 \_\_\_\_\_  
 Dimming: Non-dimming / DALI Dimming / DMX \_\_\_\_\_  
 Driver Included: No \_\_\_\_\_  
 Driver Location: Remote \_\_\_\_\_  
 Driver Type: Constant Voltage - Universal \_\_\_\_\_  
 Driver Class: Class 2 \_\_\_\_\_  
 Input Voltage (V): 120 - 277 \_\_\_\_\_  
 Output Voltage (V): 24 \_\_\_\_\_  
 Upon Request: 0-10V Dimming \_\_\_\_\_

#### LED

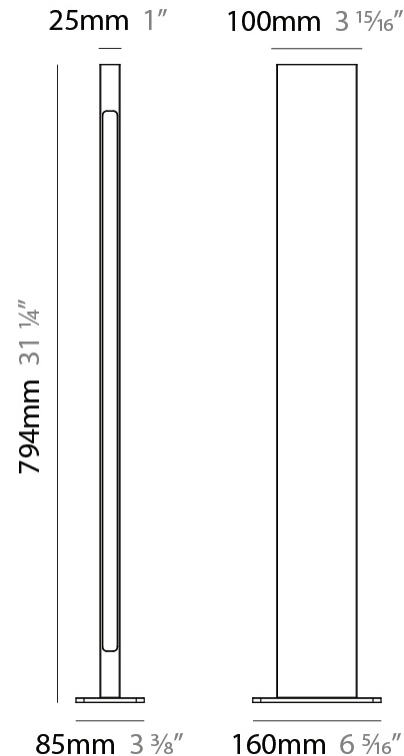
Number of LEDs: 264 \_\_\_\_\_  
 Color Temperature (°K): 3000 / 4000 / 6000 \_\_\_\_\_  
 Max. Delivered Lumen (lm): 1755 / 1950 / 2120 \_\_\_\_\_  
 Nominal Lumen (lm): 2845 / 3155 / 3425 \_\_\_\_\_  
 CRI: >80 CRI \_\_\_\_\_  
 Lamp Life (hrs): 50000 \_\_\_\_\_

#### OPTICAL

Beam Angle: 120 \_\_\_\_\_

#### RATINGS AND CERTIFICATIONS

Certified By: Certified for North American Standards \_\_\_\_\_  
 IP rating: IP66 \_\_\_\_\_  
 IK Rating: IK10 \_\_\_\_\_



## SOLIDO POST

### E15B007-

base number \_\_\_\_\_ Color \_\_\_\_\_  
 Temperature \_\_\_\_\_

- To build a product code in our configurator select the specify button on the base model # product page
- To build a manual product code on this datasheet choose from the options listed below in blue font and add the suffix to the base model #

#### GENERAL

Series: Solido \_\_\_\_\_  
 Partner: Diamante \_\_\_\_\_  
 Division: Exterior \_\_\_\_\_  
 Installation: Post \_\_\_\_\_  
 Product Type: Pedestrian Posts \_\_\_\_\_  
 Mounting Location: Above Ground \_\_\_\_\_  
 Light Distribution: Direct \_\_\_\_\_

#### PHYSICAL

Shape: Rectangle \_\_\_\_\_  
 Length (mm): 160 \_\_\_\_\_  
 Length (in): 6 <sup>3</sup>/<sub>16</sub> \_\_\_\_\_  
 Width (mm): 85 \_\_\_\_\_  
 Width (in): 3 <sup>3</sup>/<sub>8</sub> \_\_\_\_\_  
 Height (mm): 2206 \_\_\_\_\_  
 Height (in): 86 <sup>7</sup>/<sub>8</sub> \_\_\_\_\_  
 Weight (kg): 13.5 \_\_\_\_\_  
 Diffuser: PMMA - Opal \_\_\_\_\_  
 Fixture Finish: ANB \_\_\_\_\_  
 Fixture Material: Aluminum Alloy \_\_\_\_\_  
 Cable Details: Supplied with one power supply cable 0.8m in length \_\_\_\_\_

#### ELECTRICAL

Lamp Type: LED \_\_\_\_\_  
 Input Wattage (W): 69 \_\_\_\_\_  
 Total Output Wattage (W): 58.6 \_\_\_\_\_  
 Dimming: Non-dimming / DALI Dimming / DMX \_\_\_\_\_  
 Driver Included: No \_\_\_\_\_  
 Driver Location: Remote \_\_\_\_\_  
 Driver Type: Constant Voltage - Universal \_\_\_\_\_  
 Driver Class: Class 2 \_\_\_\_\_  
 Input Voltage (V): 120 - 277 \_\_\_\_\_  
 Output Voltage (V): 24 \_\_\_\_\_  
 Upon Request: 0-10V Dimming \_\_\_\_\_

#### LED

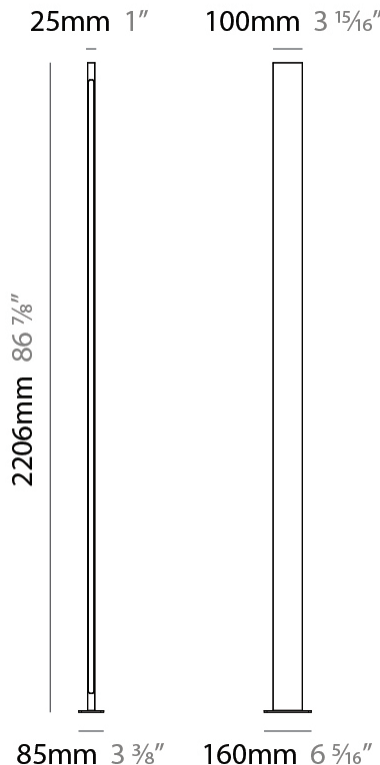
Number of LEDs: 840 \_\_\_\_\_  
 Color Temperature (°K): 3000 / 4000 / 6000 \_\_\_\_\_  
 Max. Delivered Lumen (lm): 5590 / 6205 / 6740 \_\_\_\_\_  
 Nominal Lumen (lm): 9050 / 10040 / 10905 \_\_\_\_\_  
 CRI: >80 CRI \_\_\_\_\_  
 Lamp Life (hrs): 50000 \_\_\_\_\_

#### OPTICAL

Beam Angle: 120 \_\_\_\_\_

#### RATINGS AND CERTIFICATIONS

Certified By: Certified for North American Standards \_\_\_\_\_  
 IP rating: IP66 \_\_\_\_\_  
 IK Rating: IK10 \_\_\_\_\_



PROJECT

TYPE

SPECIFIER

QUANTITY

DATE

### Fixture Finish

**Digital:** Not all screens are calibrated the same, and therefore, colors will appear differently between screens.

**Physical:** When texture is involved, there will be variations in color, character and tone within a product series and between product families.



|           |  |
|-----------|--|
| PROJECT   |  |
| TYPE      |  |
| SPECIFIER |  |
| QUANTITY  |  |
| DATE      |  |

### LEGEND

|                                                           |                                                              |                                                                                                |
|-----------------------------------------------------------|--------------------------------------------------------------|------------------------------------------------------------------------------------------------|
| floor-mounted                                             | pivotal                                                      | special LED (upon request) RGB, RGBW, tunable, gold+, meat+, art+, fashion+                    |
| wall and ceiling: recessed and surface mounted            | rotating                                                     | warm dim / natural dimming LED                                                                 |
| ceiling-mounted and wall-mounted                          | illuminate tilted                                            | rechargeable battery powered                                                                   |
| wall-mounted                                              | color of suspension cable                                    | fixture with natural vivid LED (upon request)                                                  |
| omni-directional light distribution                       | length of suspension cable                                   | color rendering index                                                                          |
| direct light distribution                                 | reflector degree selection                                   | color temperature                                                                              |
| direct/indirect light distribution                        | super spot                                                   | lumen (luminous flux)                                                                          |
| indirect light distribution                               | lens                                                         | efficacy (lumens per watt)                                                                     |
| asymmetric light distribution                             | lens pack                                                    | Unified Glare Rating (UGR) range from 5-40                                                     |
| aura light distribution                                   | shine ring                                                   | marine grade (AISI 316 stainless steel)                                                        |
| round wall or ceiling cut-out                             | integrated shine ring with diffuser                          | walk on                                                                                        |
| square wall or ceiling cut-out                            | free individual colors 01-29                                 | drive on                                                                                       |
| the supplied jig specifies the cutout dimensions          | individual colors: 00 (free of charge), 01-25 (extra charge) | Dark Sky Compliance                                                                            |
| minimum distance (meters) lamp - object                   | luminaire part to be colored (F1)                            | Americans with Disabilities Act (less than 4" off the wall located between 27"-84" from floor) |
| recessed depth                                            | luminaire part to be colored (F2)                            | lamp protected against explosion                                                               |
| ceiling thickness in mm                                   | luminaire part to be colored (F3)                            | blown glass using traditional methods by master glass blower                                   |
| ceiling thickness selection                               | luminaire part to be colored (F4)                            | acoustic material                                                                              |
| dimmable DP (phase), DV (0-10V), DD (dali), DS (step-dim) | luminaire part to be colored (F5)                            | protection class I, protection insulation                                                      |
| included or excluded LED driver/transformer/control gear  | color of 3-circuit adaptor                                   | protection class II, protection insulation                                                     |
| separately switchable                                     | indirect diffuser                                            | ETL Certified to UL and CSA Standards                                                          |
| sensor                                                    | direct diffuser                                              | UL Certified to UL and CSA Standards                                                           |
| remote control                                            | ball-proof (upon request)                                    | CSA Certified to UL and CSA Standards                                                          |
| available upon request                                    | accessory                                                    | Certified for North American Standards                                                         |

### IP RATING

|      |                                                                                                                                                  |
|------|--------------------------------------------------------------------------------------------------------------------------------------------------|
| IP20 | protected against ingress of solid bodies greater than 12.5mm (finger)                                                                           |
| IP33 | protected against ingress of solid bodies greater than 2.5mm<br>protected against sprays of water up to 60 degrees from the vertical (rain)      |
| IP40 | protected against ingress of solid bodies greater than 1mm (wire)<br>no protection against the ingress of moisture                               |
| IP43 | protected against ingress of solid bodies greater than 1mm (wire)<br>protected against sprays of water up to 60 degrees from the vertical (rain) |
| IP44 | protected against ingress of solid bodies greater than 1mm (wire)<br>protected against water splashed from all directions                        |
| IP54 | protected against limited ingress of dust (wet rooms/covered outdoor areas)<br>protected against water splashed from all directions              |
| IP65 | protected against ingress of dust<br>protected against jets of water                                                                             |
| IP66 | protected against ingress of dust<br>protected against powerful jets of water or heavy seas                                                      |
| IP67 | protected against ingress of dust<br>protected against immersion of water between 15cm - 1m for 30 minutes                                       |
| IP68 | protected against ingress of dust<br>protected against immersion of water under pressure for long periods                                        |

### IK RATING

|      |                                                                                                       |
|------|-------------------------------------------------------------------------------------------------------|
| IK01 | protected against 0.14 joules impact (equivalent to 0.25kg mass dropped from 56mm above the surface)  |
| IK02 | protected against 0.2 joules impact (equivalent to 0.25kg mass dropped from 80mm above the surface)   |
| IK03 | protected against 0.35 joules impact (equivalent to 0.25kg mass dropped from 140mm above the surface) |
| IK04 | protected against 0.5 joules impact (equivalent to 0.25kg mass dropped from 200mm above the surface)  |
| IK05 | protected against 0.7 joules impact (equivalent to 0.25kg mass dropped from 280mm above the surface)  |
| IK06 | protected against 1 joules impact (equivalent to 0.25kg mass dropped from 400mm above the surface)    |
| IK07 | protected against 2 joules impact (equivalent to 0.5kg mass dropped from 400mm above the surface)     |
| IK08 | protected against 5 joules impact (equivalent to 1.7kg mass dropped from 300mm above the surface)     |
| IK09 | protected against 10 joules impact (equivalent to 5.0kg mass dropped from 200mm above the surface)    |
| IK10 | protected against 20 joules impact (equivalent to 5.0kg mass dropped from 400mm above the surface)    |